

PROPOSED REFURBISHMENT TO EXISTING OFFICE BUILDING @ LOFTUS STREET, SUVA.

LEGAL AID COMMISSION

ARCHITECTURAL DRAWINGS

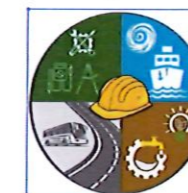
S0.01	EXISTING SITE PLAN	A4.02	ENLARGED PLAN - INTERVIEW ROOM
S0.02	PROPOSED SITE PLAN	A4.03	JOINERY DETAIL- RECEIPTION DESK
S1.01	PROPOSED RETAINING WALL	A5.00	ALUMINIUM FRAMING ELEVATIONS
A1.01	EXISTING GROUND FLOOR PLAN	A5.01	ALUMINIUM FRAMING DETAILS 1
A1.02	EXISTING 1st FLOOR PLAN	A5.02	ALUMINIUM FRAMING DETAILS 2
A1.03	EXISTING 2nd FLOOR PLAN	A5.03	DOOR SCHEDULES
A2.01	DEMOLITION PLAN - GROUND FLOOR	A6.00	RETAINING WALL DETAILS
A2.02	DEMOLITION PLAN - 1st FLOOR	A7.00	EXTERNAL STEPS DETAILS
A2.03	DEMOLITION PLAN - 2nd FLOOR		
A3.01	PROPOSED FLOOR PLAN - GROUND FLOOR		
A3.02	PROPOSED FLOOR PLAN - 1st FLOOR		
A3.03	PROPOSED FLOOR PLAN - 2nd FLOOR		
A4.01	ENLARGED PLAN -RECEPTION ROOM		



LOCALITY PLAN

JUNE 2026

Project Manager & Architect



Ministry of Public Works, Meteorological Services & Transport
 Department of Building & Government Architect
 Architects Section
 Level 2, Nasilivata House, Samabula, Suva.
 Phone: +679 3384111
 Email: andrew.m.pene@gmail.com

Structural & Civil Drawings



Ministry of Public Works, Meteorological Services & Transport
 Department of Building & Government Architect
 Architects Section
 Level 2, Nasilivata House, Samabula, Suva.
 Phone: +679 3384111
 Email: zahidul.islam@mpwmst.gov.fj

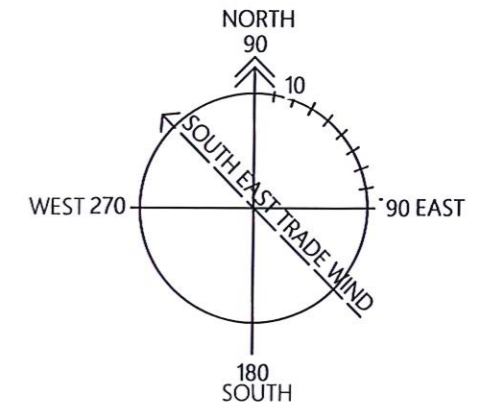
Quantity Surveyor



Ministry of Public Works, Meteorological Services & Transport
 Department of Building & Government Architect
 Architects Section
 Level 2, Nasilivata House, Samabula, Suva.
 Phone: +679 3384111
 Email: josevata.naicovi@mpwmst.gov.fj

Copyright:

Copyright of all drawings, specifications, documentation and all work executed pertaining to these documents remains the sole property of the Government of the Republic of the Fiji. Ministry of Public Works, Architect's Section. Figured dimension shall take preference over scaled dimension and the largest scale drawings will take preference. Check all dimensions on the std drawings before the execution of work or shop drawings. Notify the project Architect of any discrepancies



EXISTING SITE PLAN
Scale 1:200 @ A3.

Contractor: The contractor must verify all dimensions on the drawing before the execution of work or shop drawings. The contractor shall notify the project architect of any discrepancies.
Dimensions: Figured dimensions shall take preference over scaled dimensions and the largest scale drawing will take preference.
Copyright: Copyright of all specifications, documentation and all work executed pertaining to these documents remains the sole property of the government of the republic of Fiji - Government Architect Section, Ministry of Public Works, Metrological Services and Transport.
Regulations and Standards: All works are to comply with the relevant Regulations and Standards.

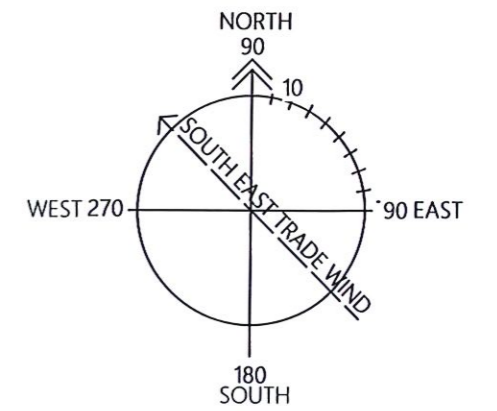


Amendments		
no.	details	date
	Revised drawing 1- scope of work amended	

drawn	LM/KV	date	March 2026
scale	AS SHOWN	proj. arch./off.	LM
approval	MM	DBGA approval	MM
MINISTRY OF PUBLIC WORKS			

proj./block	LEGAL AID COMMISSION PROPOSED REFURBISHMENT TO EXISTING OFFICE BUILDING. LOFTUS STREET, SUVA.
drawing title	EXISTING SITE PLAN

related drawings.	project no.
	26016
sheet no.	
S0.01	R2 amend



Concrete Legend	
	Allow to make good all existing concrete pavements & walkways & re-paint to clients approval
	Allow for new Footpath from the new staircase around towards the rear staircase refer to A7.00

PROPOSED SITE PLAN
Scale 1:200 @ A3.

Contractor: The contractor must verify all dimensions on the drawing before the execution of work or shop drawings. The contractor shall notify the project architect of any discrepancies.
Dimensions: Figured dimensions shall take preference over scaled dimensions and the largest scale drawing will take preference.
Copyright: Copyright of all specifications, documentation and all work executed pertaining to these documents remains the sole property of the government of the republic of Fiji - Government Architect Section, Ministry of Public Works, Metrological Services and Transport.
Regulations and Standards: All works are to comply with the relevant Regulations and Standards.

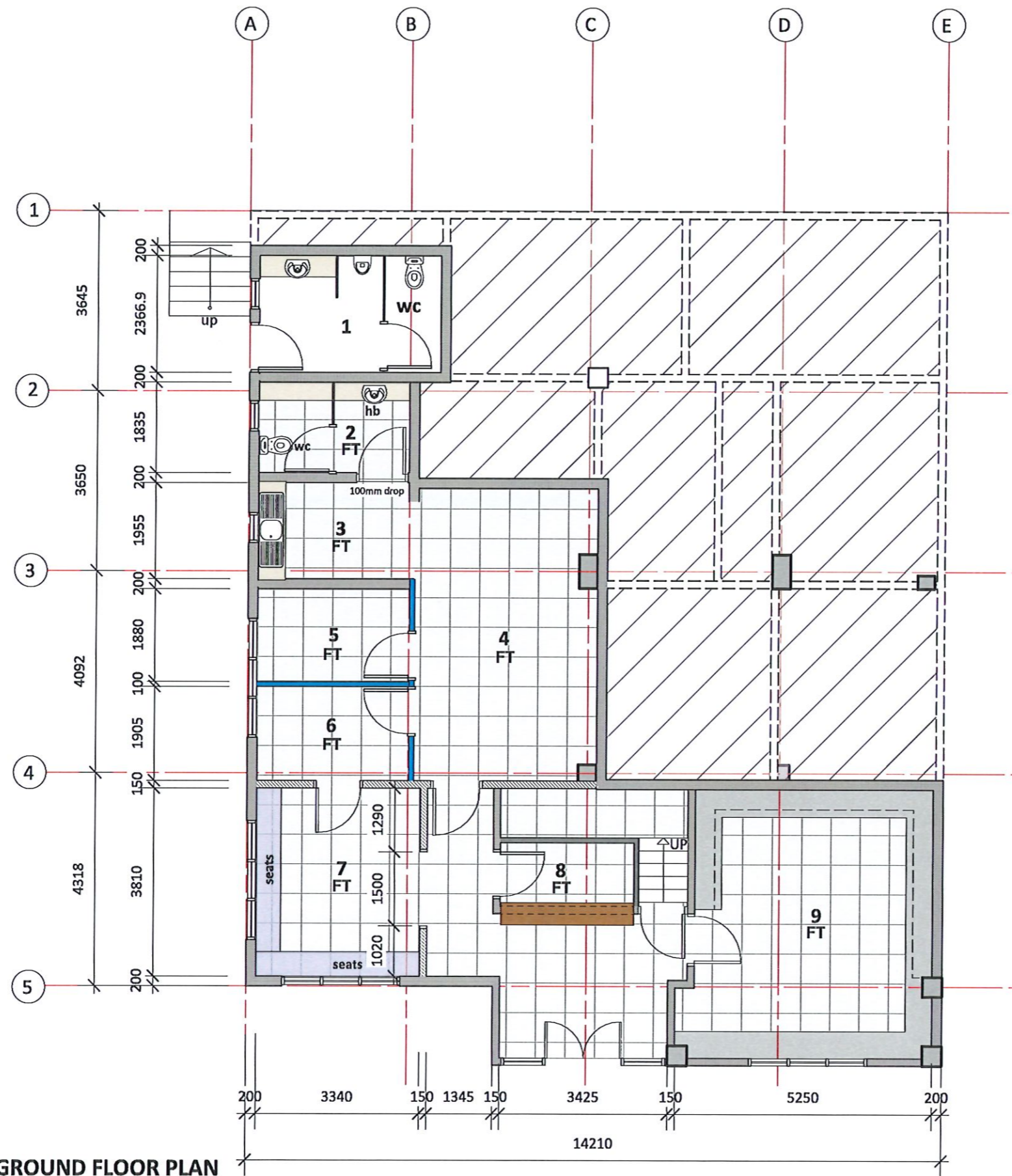


Amendments		
no.	details	date
Revision 1	Revised drawing 1- scope of work amended	
Revision 2	Amendment to paintworks & new footpath	

drawn	date
LM/KV	March 2026
scale	proj. arch./off.
AS SHOWN	LM
approval	DBGA approval
MM	MM
MINISTRY OF PUBLIC WORKS	

proj./block	LEGAL AID COMMISSION PROPOSED REFURBISHMENT TO EXISTING OFFICE BUILDING. LOFTUS STREET, SUVA.
drawing title	PROPOSED SITE PLAN

related drawings.	project no.
	26016
sheet no.	
S0.02	R2 amend



EXISTING GROUND FLOOR PLAN
scale 1:100 @ A3.

ROOM LEGEND	
1	PUBLIC WASHROOM
2	STAFF WASHROOM
3	TEA PREP
4	SEVER ROOM
5	INTERVIEW ROOM 1
6	INTERVIEW ROOM 2
7	WAITING AREA
8	RECEPTION
9	STORAGE ROOM

WALL LEGEND	
	Aluminium Frame with 12mm thick glass pannel
	100x50mm timber frame partition wall with 10mm gib board on both sides
	150mm thick concrete block wall
	200mm thick concrete block wall

FLOOR FINISHING	
FT	600x600 ceremic floor tiles

Contractor: The contractor must verify all dimensions on the drawing before the execution of work or shop drawings. The contractor shall notify the project architect of any discrepancies.
Dimensions: Figured dimensions shall take preference over scaled dimensions and the largest scale drawing will take preference.
Copyright: Copyright of all specifications, documentation and all work executed pertaining to these documents remains the sole property of the government of the republic of Fiji - Government Architect Section, Ministry of Public Works, Metrological Services and Transport.
Regulations and Standards: All works are to comply with the relevant Regulations and Standards.

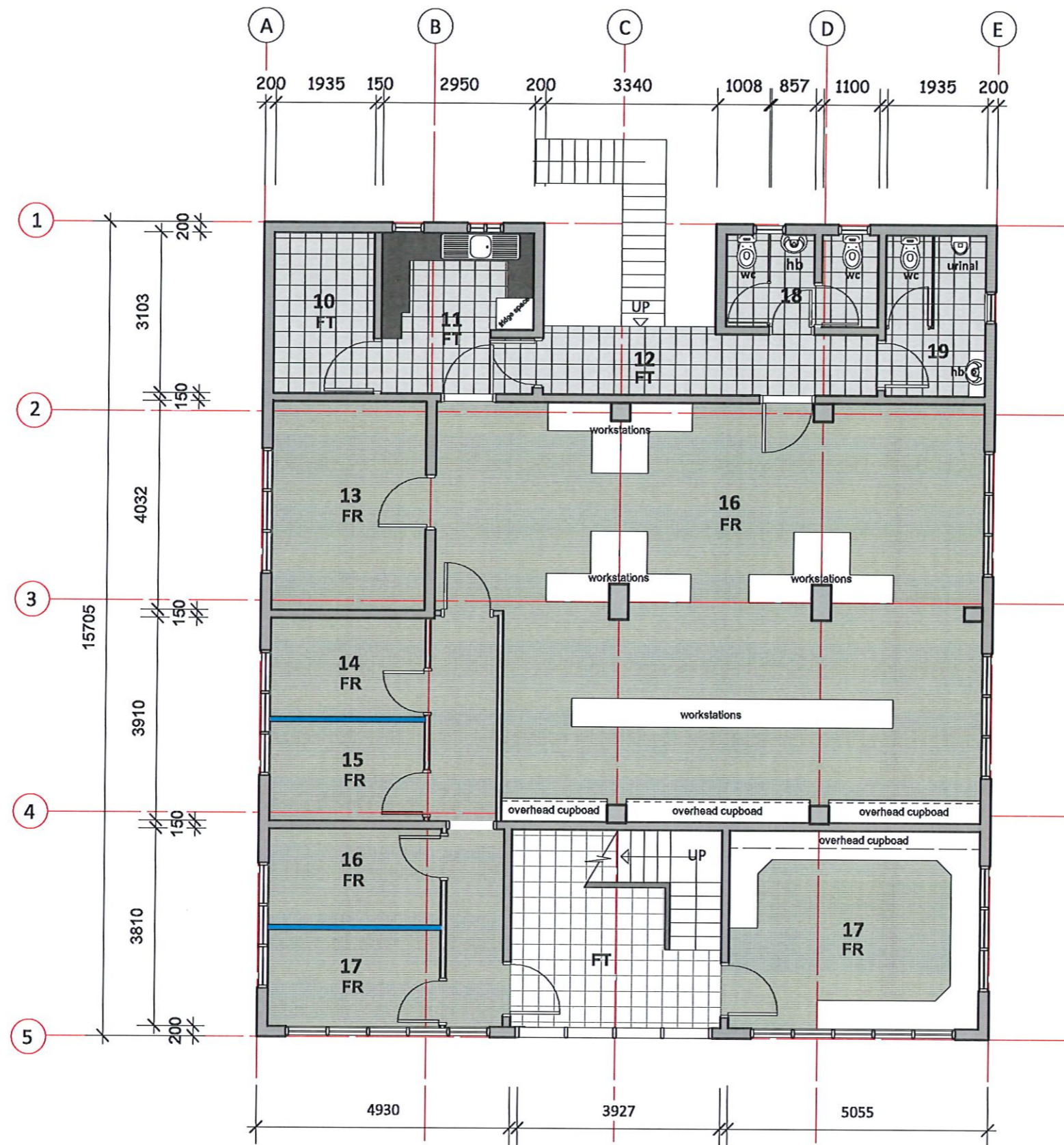


Amendments		
no.	details	date
	Revised drawing 1- scope of work amended	

drawn	LM/KV	date	March 2026
scale	AS SHOWN	proj. arch./off.	LM
approval	MM	DBGA approval	MM
MINISTRY OF PUBLIC WORKS			

proj./block	LEGAL AID COMMISSION PROPOSED REFURBISHMENT TO EXISTING OFFICE BUILDING. LOFTUS STREET, SUVA.
related drawings.	
project no.	26016
drawing title	EXISTING GROUND LEVEL

sheet no.	A1.01	R2
		amend



EXISTING 1st FLOOR PLAN
scale 1:100 @ A3.

ROOM LEGEND	
10	STORAGE ROOM
11	TEA PREP
12	PASSAGE
13	OFFICE
14	OFFICE
15	OFFICE
16	LAWYER'S ROOM
17	OFFICE
18	MALE WASHROOM
19	FEMALE WASHROOM

WALL LEGEND	
	Aluminium Frame with 12mm thick glass pannel
	100x50mm timber frame partition wall with 10mm gib board on both sides
	150mm thick concrete block wall
	200mm thick concrete block wall

FLOOR FINISHING	
FT	300x300 ceramic floor tiles
FR	Floor Rug

Contractor: The contractor must verify all dimensions on the drawing before the execution of work or shop drawings. The contractor shall notify the project architect of any discrepancies.
Dimensions: Figured dimensions shall take preference over scaled dimensions and the largest scale drawing will take preference.
Copyright: Copyright of all specifications, documentation and all work executed pertaining to these documents remains the sole property of the government of the republic of Fiji - Government Architect Section, Ministry of Public Works, Metrological Services and Transport.
Regulations and Standards: All works are to comply with the relevant Regulations and Standards.

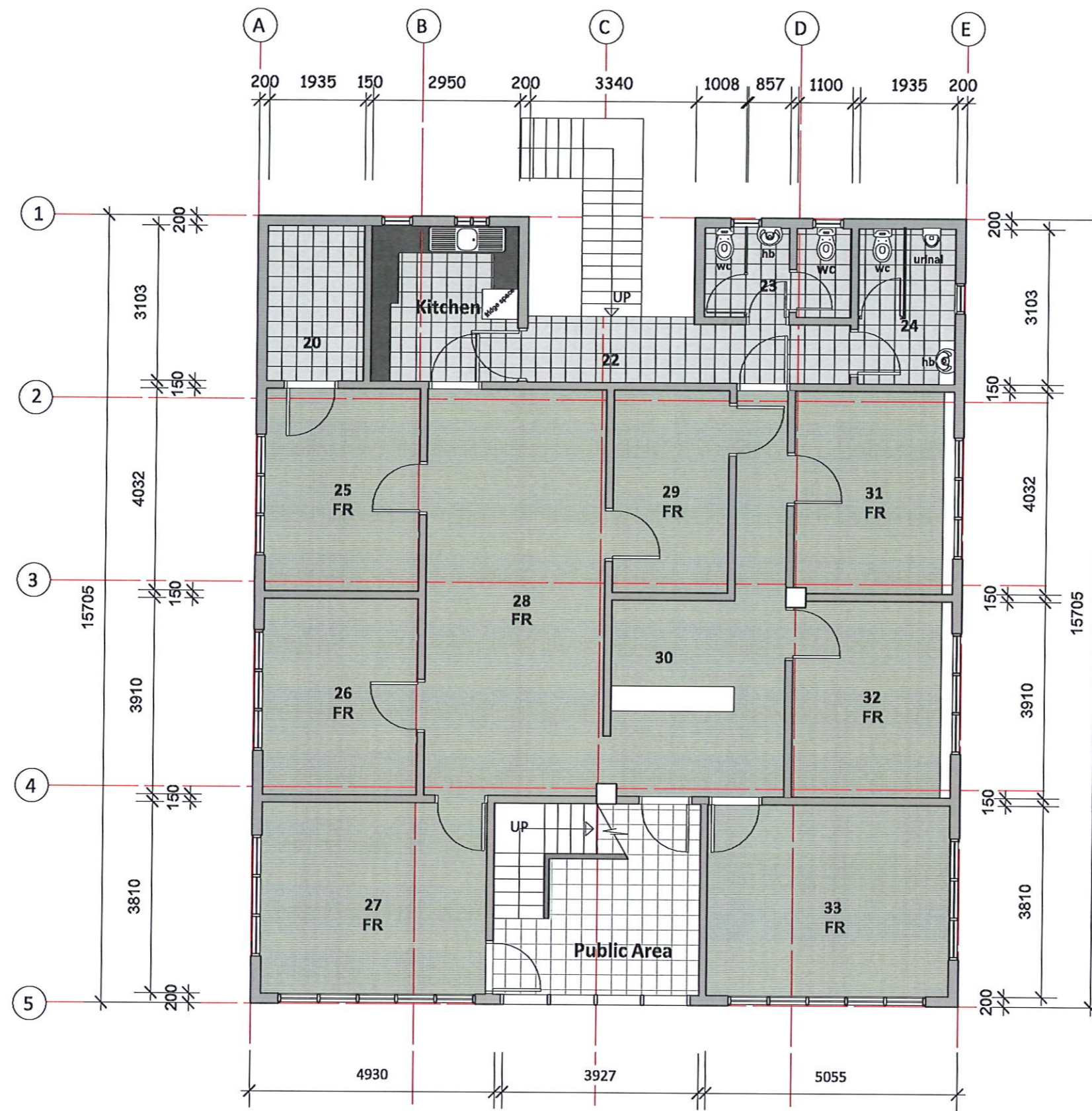


Amendments		
no.	details	date
	Revised drawing 1- scope of work amended	

drawn	LM/KV	date	March 2026
scale	AS SHOWN	proj. arch./off.	LM
approval	MM	DBGA approval	MM
MINISTRY OF PUBLIC WORKS			

proj./block	LEGAL AID COMMISSION PROPOSED REFURBISHMENT TO EXISTING OFFICE BUILDING, LOFTUS STREET, SUVA.
drawing title	EXISTING 1st FLOOR PLAN

related drawings.	project no.	26016
sheet no.	A1.02	R2 amend



EXISTING 2nd FLOOR PLAN
scale 1:100 @ A3.

ROOM LEGEND	
20	STORAGE ROOM
21	TEA PREP
22	PASSAGE
23	MALE WASHROOM
24	FEMALE WASHROOM
25	STORAGE ROOM
26	HELP DESK
27	CONFERENCE ROOM
28	OPEN SPACE
29	OFFICE
30	MEDIA WORK SPACE
31	SERVER ROOM
32	OFFICE
33	OFFICE

WALL LEGEND	
	Aluminium Frame with 12mm thick glass pannel
	100x50mm timber frame partition wall with 10mm gib board on both sides
	150mm thick concrete block wall
	200mm thick concrete block wall

FLOOR FINISHING	
FT	300x300 ceramic floor tiles
FR	Floor Rug

Contractor: The contractor must verify all dimensions on the drawing before the execution of work or shop drawings. The contractor shall notify the project architect of any discrepancies.
Dimensions: Figured dimensions shall take preference over scaled dimensions and the largest scale drawing will take preference.
Copyright: Copyright of all specifications, documentation and all work executed pertaining to these documents remains the sole property of the government of the republic of Fiji - Government Architect Section, Ministry of Public Works, Metrological Services and Transport.
Regulations and Standards: All works are to comply with the relevant Regulations and Standards.



Amendments		
no.	details	date
	Revised drawing 1- scope of work amended	

drawn	LM/KV	date	March 2026
scale	AS SHOWN	proj. arch./off.	LM
approval	MM	DBGA approval	MM
MINISTRY OF PUBLIC WORKS			

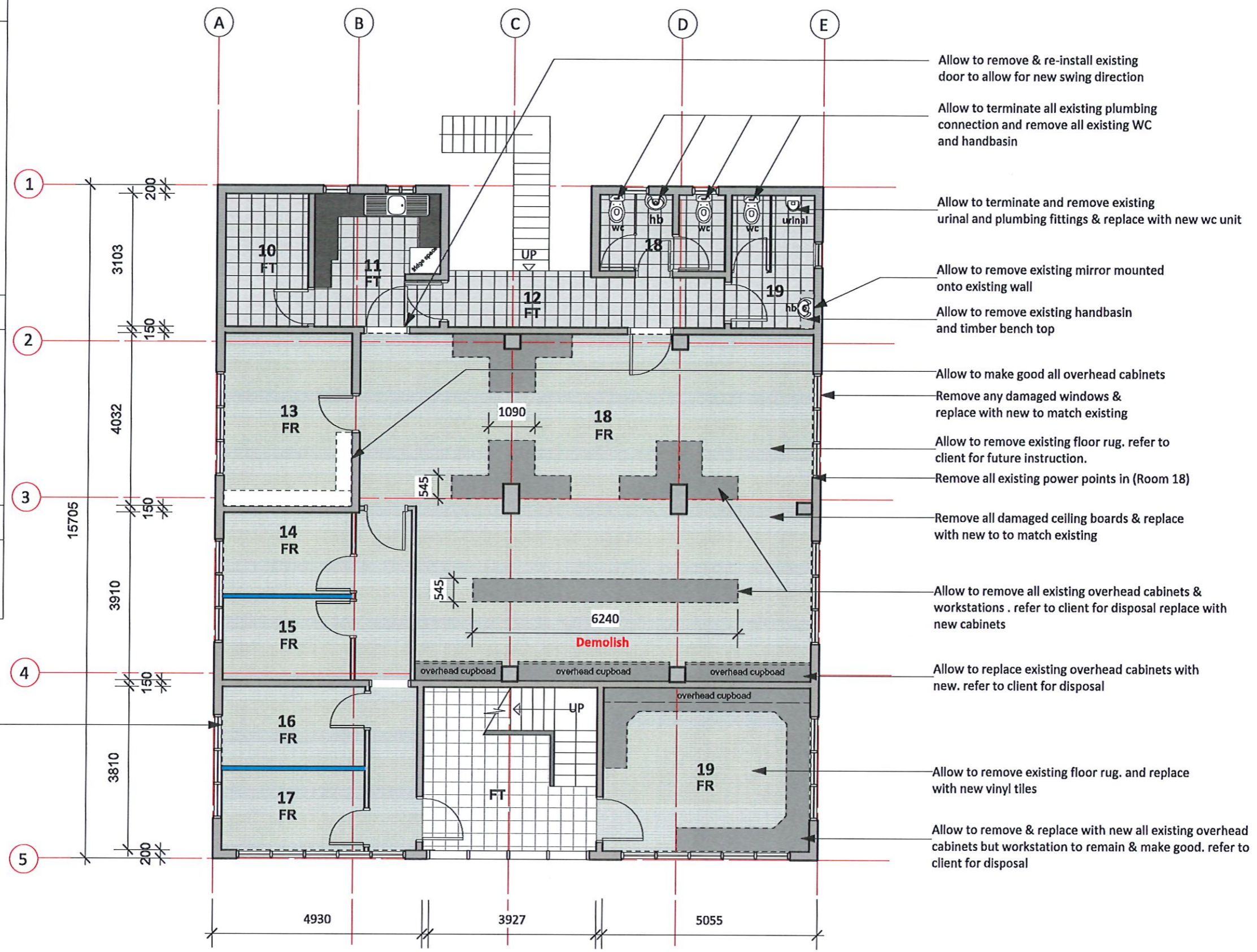
proj./block	LEGAL AID COMMISSION PROPOSED REFURBISHMENT TO EXISTING OFFICE BUILDING. LOFTUS STREET, SUVA.
drawing title	EXISTING 2nd FLOOR PLAN

related drawings.	project no.	26016
sheet no.	A1.03	R2 amend

ROOM LEGEND	
10	STORAGE ROOM
11	TEA PREP
12	PASSAGE
13	OFFICE
14	OFFICE
15	OFFICE
16	LAWYER'S ROOM
17	OFFICE
18	MALE WASHROOM
19	FEMALE WASHROOM

WALL LEGEND	
	Aluminium Frame with 12mm thick glass pannel
	100x50mm timber frame partition wall with 10mm gib board on both sides
	150mm thick concrete block wall
	200mm thick concrete block wall

FLOOR FINISHING	
FT	300x300 ceramic floor tiles
FR	Floor Rug



DEMOLITION 1st FLOOR PLAN
scale 1:100 @ A3.

Contractor: The contractor must verify all dimensions on the drawing before the execution of work or shop drawings. The contractor shall notify the project architect of any discrepancies.
Dimensions: Figured dimensions shall take preference over scaled dimensions and the largest scale drawing will take preference.
Copyright: Copyright of all specifications, documentation and all work executed pertaining to these documents remains the sole property of the government of the republic of Fiji - Government Architect Section, Ministry of Public Works, Metrological Services and Transport.
Regulations and Standards: All works are to comply with the relevant Regulations and Standards.



Amendments		
no.	details	date
	Revised drawing 1- scope of work amended	

drawn	LM/KV	date	March 2026
scale	AS SHOWN	proj. arch./off.	LM
approval	MM	DBGA approval	MM
MINISTRY OF PUBLIC WORKS			

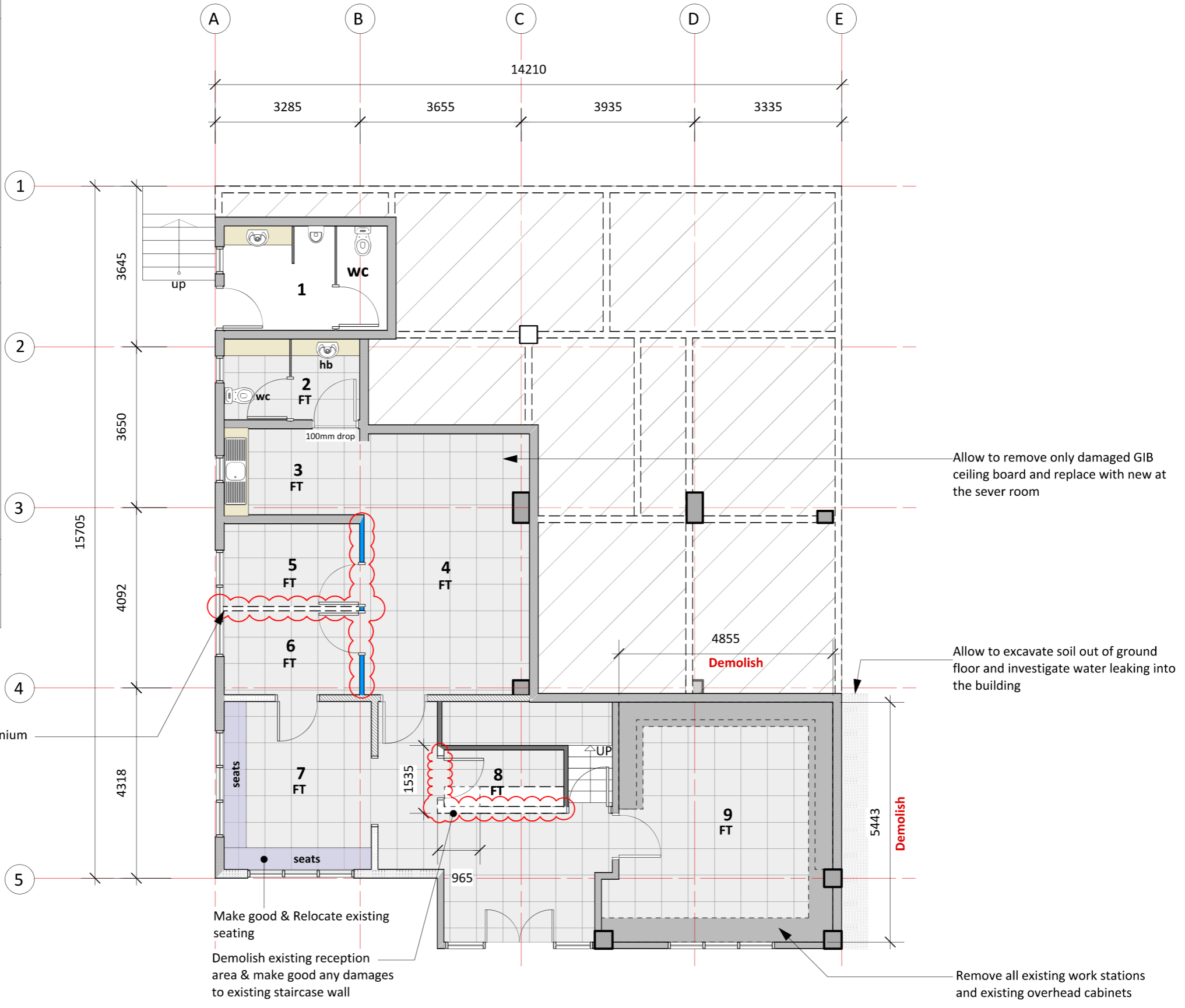
proj./block	LEGAL AID COMMISSION PROPOSED REFURBISHMENT TO EXISTING OFFICE BUILDING. LOFTUS STREET, SUVA.
drawing title	DEMOLITION 1st FLOOR PLAN

related drawings.	project no.
	26016
sheet no.	R2
A2.02	amend

ROOM LEGEND	
1	PUBLIC WASHROOM
2	STAFF WASHROOM
3	TEA PREP
4	SEVER ROOM
5	INTERVIEW ROOM 1
6	INTERVIEW ROOM 2
7	WAITING AREA
8	RECEPTION
9	STORAGE ROOM

WALL LEGEND	
	Existing Aluminium Frame with 12mm thick glass pannel
	Existing 100x50mm timber frame partition wall with 10mm gib board on both sides
	Existing 150mm thick concrete block wall
	Existing 200mm thick concrete block wall
	Demolish existing 100x50mm timber frame partition wall with 10mm gib board on both sides

FLOOR FINISHING	
FT	600x600 ceremik floor tiles



DEMOLITION GROUND FLOOR PLAN
scale 1:100 @ A3.

Contractor: The contractor must verify all dimensions on the drawing before the execution of work or shop drawings. The contractor shall notify the project architect of any discrepancies.
Dimensions: Figured dimensions shall take preference over scaled dimensions and the largest scale drawing will take preference.
Copyright: Copyright of all specifications, documentation and all work executed pertaining to these documents remains the sole property of the government of the republic of Fiji - Government Architect Section, Ministry of Public Works, Metrological Services and Transport.
Regulations and Standards: All works are to comply with the relevant Regulations and Standards.



Amendments		
no.	details	date
	Revised drawing 1- scope of work amended	

drawn	LM/KV	date	March 2026
scale	AS SHOWN	proj. arch./off.	LM
approval	MM	DBGA approval	MM
MINISTRY OF PUBLIC WORKS			

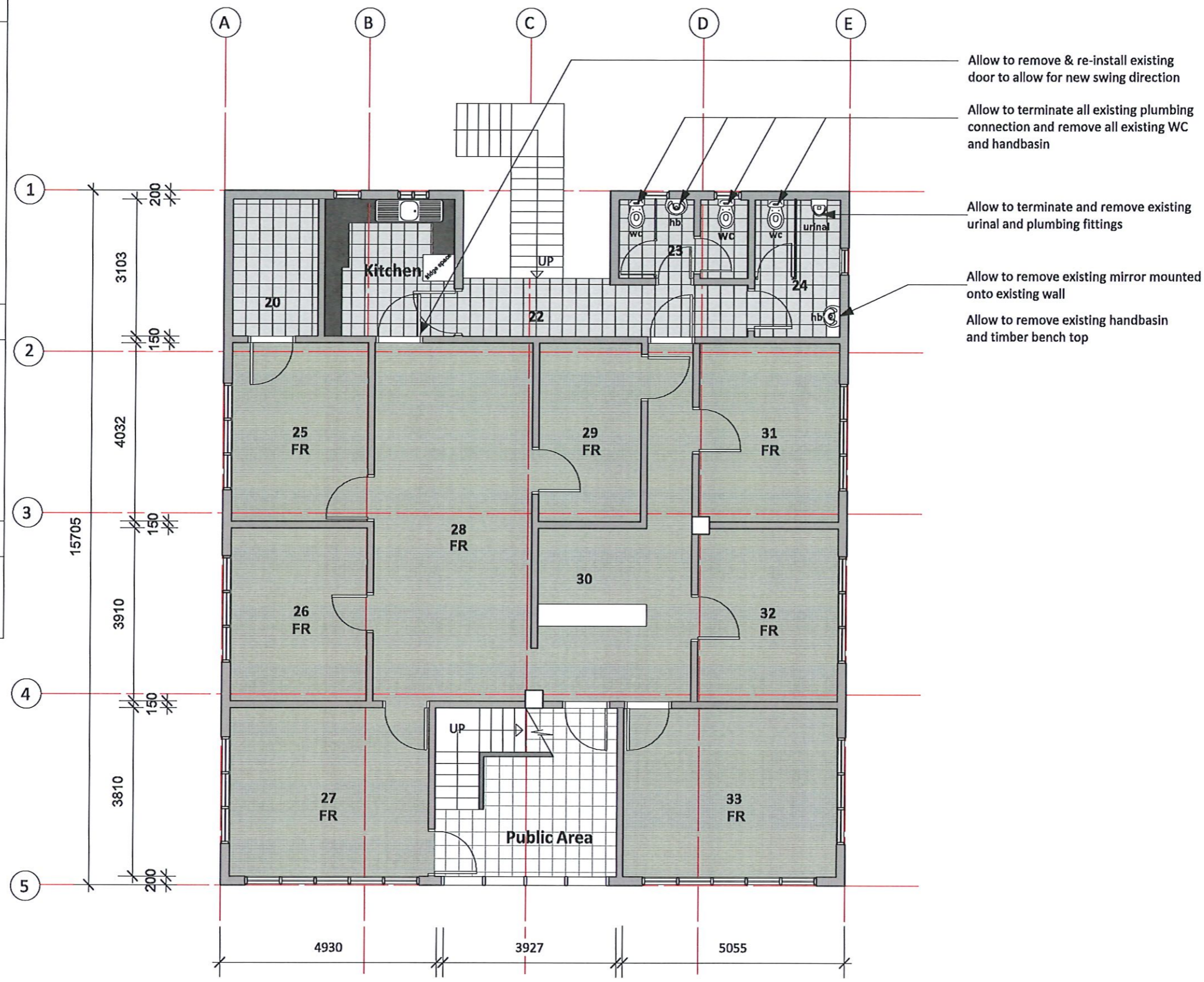
proj./block	LEGAL AID COMMISSION PROPOSED REFURBISHMENT TO EXISTING OFFICE BUILDING. LOFTUS STREET, SUVA.
drawing title	DEMOLITION GROUND FLOOR PLAN

related drawings.	project no.
	26016
sheet no.	
A2.01	R2 amend

ROOM LEGEND	
10	STORAGE ROOM
11	TEA PREP
12	PASSAGE
13	OFFICE
14	OFFICE
15	OFFICE
16	LAWYER'S ROOM
17	OFFICE
18	MALE WASHROOM
19	FEMALE WASHROOM

WALL LEGEND	
	Aluminium Frame with 12mm thick glass pannel
	100x50mm timber frame partition wall with 10mm gib board on both sides
	150mm thick concrete block wall
	200mm thick concrete block wall

FLOOR FINISHING	
FT	300x300 ceramic floor tiles
FR	Floor Rug



DEMOLITION 2nd FLOOR PLAN
scale 1:100 @ A3.

Contractor: The contractor must verify all dimensions on the drawing before the execution of work or shop drawings. The contractor shall notify the project architect of any discrepancies.
Dimensions: Figured dimensions shall take preference over scaled dimensions and the largest scale drawing will take preference.
Copyright: Copyright of all specifications, documentation and all work executed pertaining to these documents remains the sole property of the government of the republic of Fiji - Government Architect Section, Ministry of Public Works, Metrological Services and Transport.
Regulations and Standards: All works are to comply with the relevant Regulations and Standards.



Amendments		
no.	details	date
	Revised drawing 1- scope of work amended	

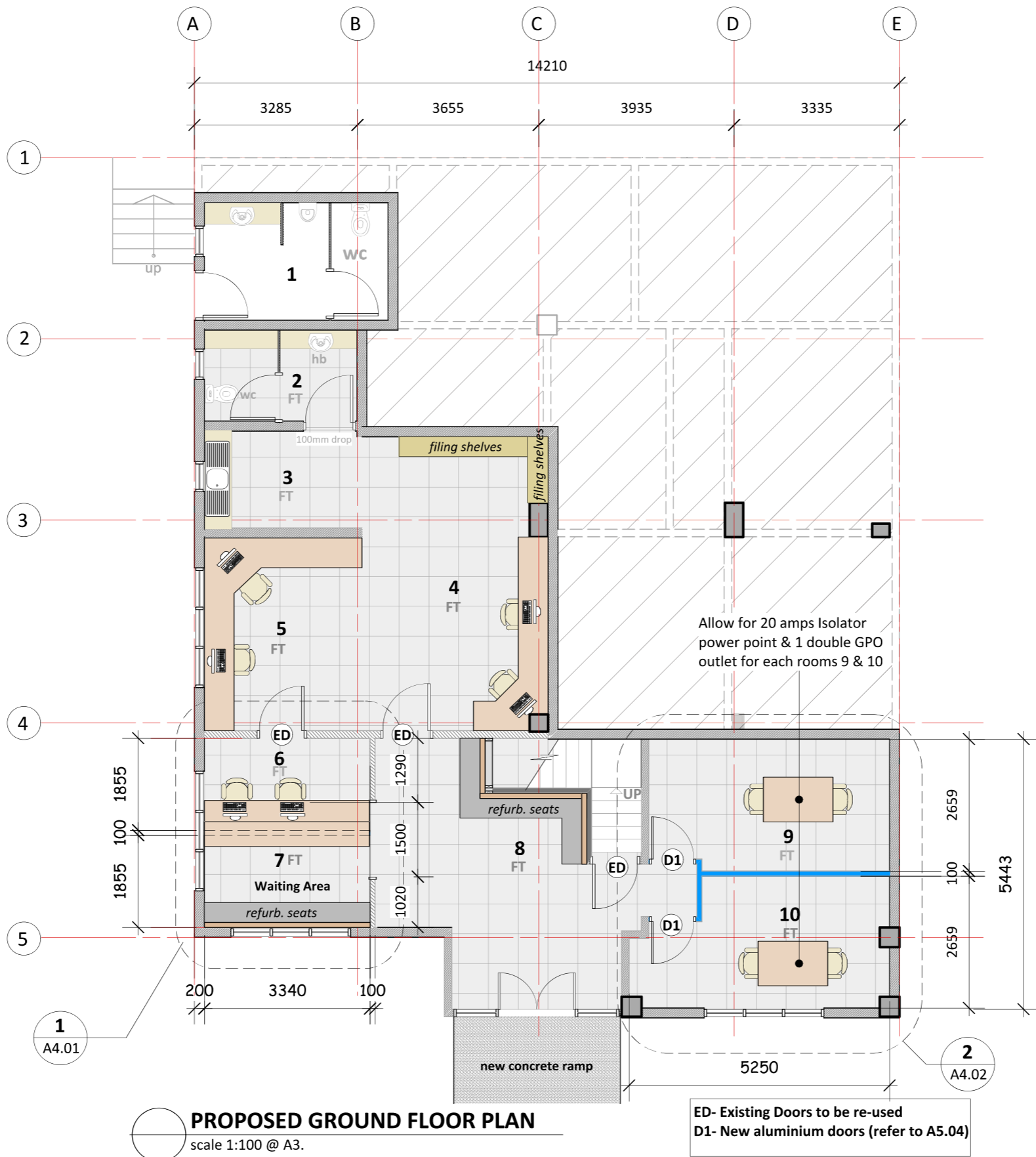
drawn	LM/KV	date	March 2026
scale	AS SHOWN	proj. arch./off.	LM
approval	MM	DBGA approval	MM
MINISTRY OF PUBLIC WORKS			

proj./block	LEGAL AID COMMISSION PROPOSED REFURBISHMENT TO EXISTING OFFICE BUILDING. LOFTUS STREET, SUVA.
drawing title	DEMOLITION 2nd FLOOR PLAN

related drawings.	project no.	26016
sheet no.	A2.03	R2 amend

Room #	Scope Of Works
1	Allow to Supply and install new vanity bench with new handbasin. refer to client for approval. Allow to supply and install new urinal Allow to supply and install new WC Allow to make good of existing partition cubical Allow to make good of exiting damaged window. Allow to remove existing door & replace with new to match existing.
2	Allow to Supply and install new vanity bench with new handbasin. refer to client for approval. Allow to supply and install new WC Allow to make good of existing partition cubical
3	Allow to supply and install new single sided sink Allow to make good of existing sink bench and replace damage hinges, handles. Allow to clean existing floor tiles and remove stains Allow to make good of existing partition cubical
4	Allow to supply and install new 12mm gib board on the ceiling Allow to remove all visble water mark/stain on the wall before applying paint finish Allow to clean existing floor tiles and remove stains Allow to remove & re-install existing entrance door (ED) to other side of door frame to allow for new swing direction Allow for (4) double GPO power points near workstation. Supply & install 2 tubelights to match existing Existing aluminium door to be frosted (client to provide frosting details)
5	Allow Aluminium window to be check proper locking and weather proofing Allow to remove existing Aluminium partion between the 2 existing interview rooms. Allow to clean existing floor tiles and remove stains Allow for new workstations Existing door leading to Room 6 to be removed & re-installed to other side of door frame to allow for new swing direction
6	Allow to demolish existing reception area Allow for new reception area with glass partition Allow to demolish part of concrete wall & allow for glass & aluminium partion Allow to clean existing floor tiles and remove stains Allow for existing aluminium & glass door to be frosted (client to approve of frosting details)
7	Allow to clean all deris and stain on the floor tiles Allow to clean existing floor tiles and remove stains Allow for new reception counter(REFER TO A4.03) Existing seats to be made good & one part to be relocated to room 8
8	Allow to demolish existing reception counter & relocate new reception desk to room 7 Allow for new refurbished seats relocation Allow to Relocate lights to suit reception layout

9,10,11 Allow to clean all debris and stain on the floor tiles
Allow for new Alumium partition with frosting to separate the 3 Interview rooms
Allow to apply water proofing membraine from outside wall to prevent water entering the external walls.



General Scope Of Works

- Surface Inspection & Preparation**
Inspect all existing wall surfaces for:
Cracks, dampness, mold, peeling paint, and surface defects

Remove:
Loose, flaking, or blistered paint by scraping or sanding
Dust, grease, dirt, and contaminants
Clean surfaces using:
Wire brushing, sanding, or water washing as required
Treat affected areas:
Apply anti-fungal solution where mold/mildew is present
Allow surfaces to dry completely before proceeding
- Repairs & Making Good**
Fill cracks and surface defects using approved filler/putty
Repair damaged plaster or spalled concrete areas
Smoothen surfaces by sanding after repairs
Ensure a uniform and even surface ready for painting
- Moisture Treatment**
Identify damp areas and rectify source of moisture
Apply waterproofing sealer or damp-proof primer where necessary
Do not proceed with painting until moisture content is acceptable
- Priming**
Apply one coat of alkali-resistant primer suitable for concrete surfaces
Ensure full and even coverage
Allow proper drying time as per manufacturer's specifications
- Application of Paint System**
Apply:
Two coats of interior emulsion paint (or as specified)
Paint type:
Low VOC, washable interior paint (recommended)
Application method:
Roller/brush/spray as appropriate
Ensure:
Uniform color and finish
No streaks, patches, or roller marks
Allow proper drying time between coats
- Finishes**
Final finish to be:
Smooth, even, and consistent in color
Number of coats may be increased if required to achieve full opacity
- Protection of Adjacent Surfaces**
Protect floors, ceilings, doors, windows, fixtures, and fittings
Use drop sheets, masking tape, and coverings
Avoid paint splashes and stains
- Cleaning & Completion**
Remove all paint debris and waste materials
Clean all affected areas after completion
Leave site in a neat and tidy condition

Notes.
Shown in Grey are existing wall structure to remain and make good to match new
Any damages to existing structure is to be rectified

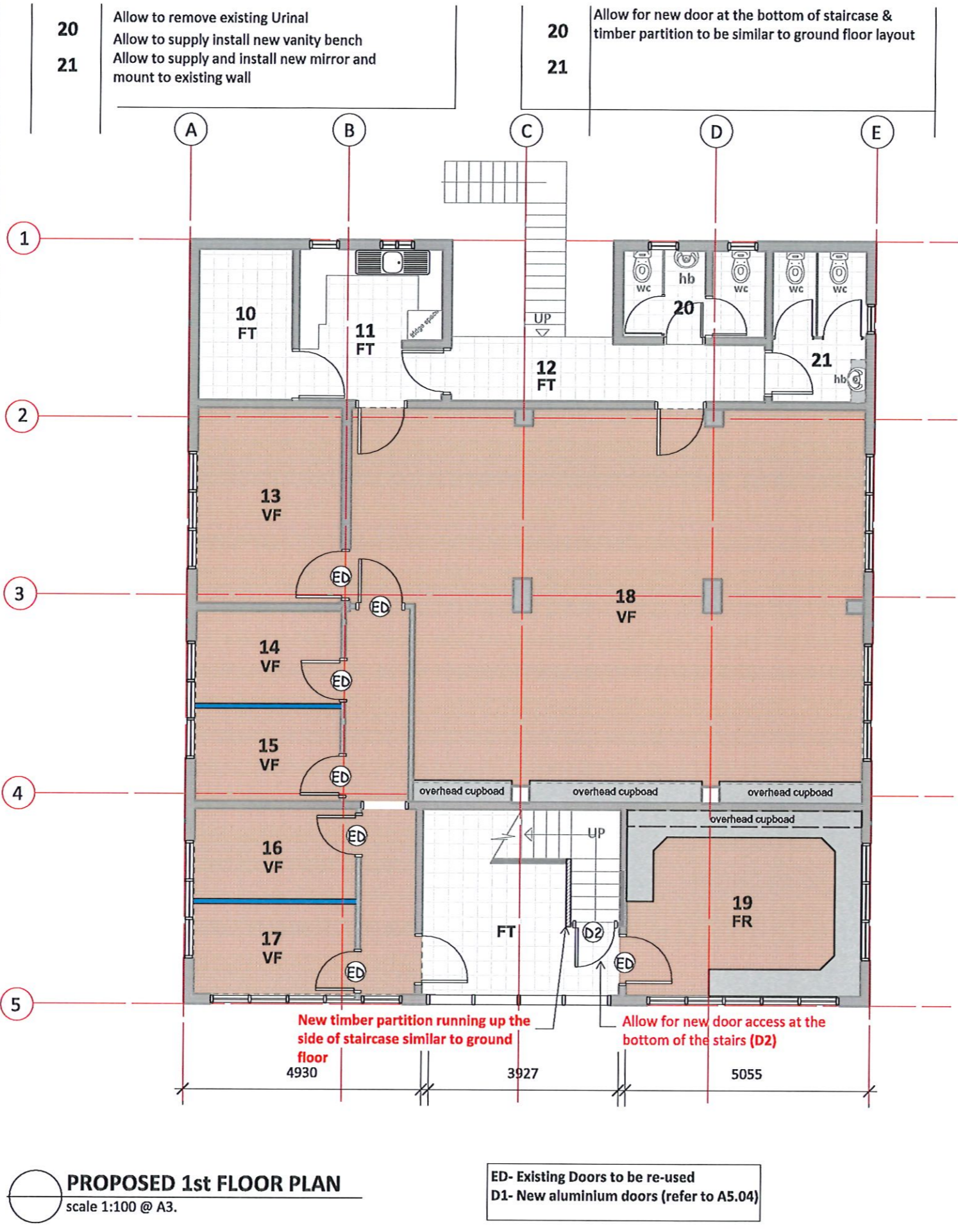
Contractor: The contractor must verify all dimensions on the drawing before the execution of work or shop drawings. The contractor shall notify the project architect of any discrepancies.
Dimensions: Figured dimensions shall take preference over scaled dimensions and the largest scale drawing will take preference.
Copyright: Copyright of all specifications, documentation and all work executed pertaining to these documents remains the sole property of the government of the republic of Fiji - Government Architect Section, Ministry of Public Works, Metrological Services and Transport.
Regulations and Standards: All works are to comply with the relevant Regulations and Standards.

Amendments		
no.	details	date
1	Revised drawing and approved	



drawn LM/KV	date March 2026	proj./block LEGAL AID COMMISSION PROPOSED REFURBISHMENT TO EXISTING OFFICE BUILDING. LOFTUS STREET, SUVA.	related drawings.	project no. 26016
scale AS SHOWN	proj. arch./off. LM	drawing title PROPOSED GROUND FLOOR PLAN	sheet no. A3.01	R2 amend
approval MM	DBGA approval MM			
MINISTRY OF PUBLIC WORKS				

Room #	Scope Of Works
10	Allow to apply paint finish on existing internal walls with selected paint finish Allow to clean and remove stain on existing floor tiles
11	Allow to remove and reposition of existing door opening to open inside the Lawyers room Allow to replace any damage hinge, drawer handle and locks
12	Allow to replace any damage floor tiles. make sure to match existing.
13	Allow aluminium window/door to be inspected for proper locking and weather proofing Allow to supply and install new window blind. refer to client for approval or provide samples and specification Allow to supply and install new Mi Plank Vinly flooring.(177.8x1219.2mm TASMANIANMYRTLE) Make good all overhead cabinets and workstation Make good all to all damaged ceiling boards Allow for frosting on all aluminium partitions & doors Allow to repair damaged door handles
14	Allow aluminium window/door to be inspected for proper locking and weather proofing
15	Allow to supply and install new window blind. refer to client for approval or provide samples and specification
16	Allow to supply and install new Mi Plank Vinly flooring.(177.8x1219.2mm TASMANIANMYRTLE)
17	Allow for frosting on all aluminium partitions & doors Allow to repair all damaged door handles
18	Allow aluminium window/door to be inspected for proper locking and weather proofing Allow to supply and install new window blind. refer to client for approval or provide samples and specification Allow to supply and install new Mi Plank Vinly flooring.(177.8x1219.2mm TASMANIANMYRTLE) Remove existing workstation - Remove existing cabinets & allow for new to match existing. Allow to Make good of broken glass windows Allow to remove damaged ceiling boards & replace with new to match existing.
19	Allow aluminium window/door to be inspected for proper locking and weather proofing Allow to supply and install new window blind. refer to client for approval or provide samples and specification Allow to supply and install new Mi Plank Vinly flooring.(177.8x1219.2mm TASMANIANMYRTLE) Existing workstation to remain & make good- Remove existing overhead cabinets & allow for new to match existing Allow & supply for 2 new lights to match existing.
20	Allow aluminium window/door to be inspected for proper locking and weather proofing
21	Allow to supply and installed 2 new WC Allow to supply and installed new HB



- ### General Scope Of Works
- Surface Inspection & Preparation**
Inspect all existing wall surfaces for:
Cracks, dampness, mold, peeling paint, and surface defects

Remove:
Loose, flaking, or blistered paint by scraping or sanding
Dust, grease, dirt, and contaminants
Clean surfaces using:
Wire brushing, sanding, or water washing as required
Treat affected areas:
Apply anti-fungal solution where mold/mildew is present
Allow surfaces to dry completely before proceeding
 - Repairs & Making Good**
Fill cracks and surface defects using approved filler/putty
Repair damaged plaster or spalled concrete areas
Smoothen surfaces by sanding after repairs
Ensure a uniform and even surface ready for painting
 - Moisture Treatment**
Identify damp areas and rectify source of moisture
Apply waterproofing sealer or damp-proof primer where necessary
Do not proceed with painting until moisture content is acceptable
 - Priming**
Apply one coat of alkali-resistant primer suitable for concrete surfaces
Ensure full and even coverage
Allow proper drying time as per manufacturer's specifications
 - Application of Paint System**
Apply:
Two coats of interior emulsion paint (or as specified)
Paint type:
Low VOC, washable interior paint (recommended)
Application method:
Roller/brush/spray as appropriate
Ensure:
Uniform color and finish
No streaks, patches, or roller marks
Allow proper drying time between coats
 - Finishes**
Final finish to be:
Smooth, even, and consistent in color
Number of coats may be increased if required to achieve full opacity
 - Protection of Adjacent Surfaces**
Protect floors, ceilings, doors, windows, fixtures, and fittings
Use drop sheets, masking tape, and coverings
Avoid paint splashes and stains
 - Cleaning & Completion**
Remove all paint debris and waste materials
Clean all affected areas after completion
Leave site in a neat and tidy condition
 - Electrical**
Allow for 2 new downlights
- Notes.**
Shown in Grey are existing wall structure to remain and make good to match new
Allow for service access into ceiling for Levels where applicable Level 1 & Level 2

Contractor: The contractor must verify all dimensions on the drawing before the execution of work or shop drawings. The contractor shall notify the project architect of any discrepancies.
Dimensions: Figured dimensions shall take preference over scaled dimensions and the largest scale drawing will take preference.
Copyright: Copyright of all specifications, documentation and all work executed pertaining to these documents remains the sole property of the government of the republic of Fiji - Government Architect Section, Ministry of Public Works, Metrological Services and Transport.
Regulations and Standards: All works are to comply with the relevant Regulations and Standards.



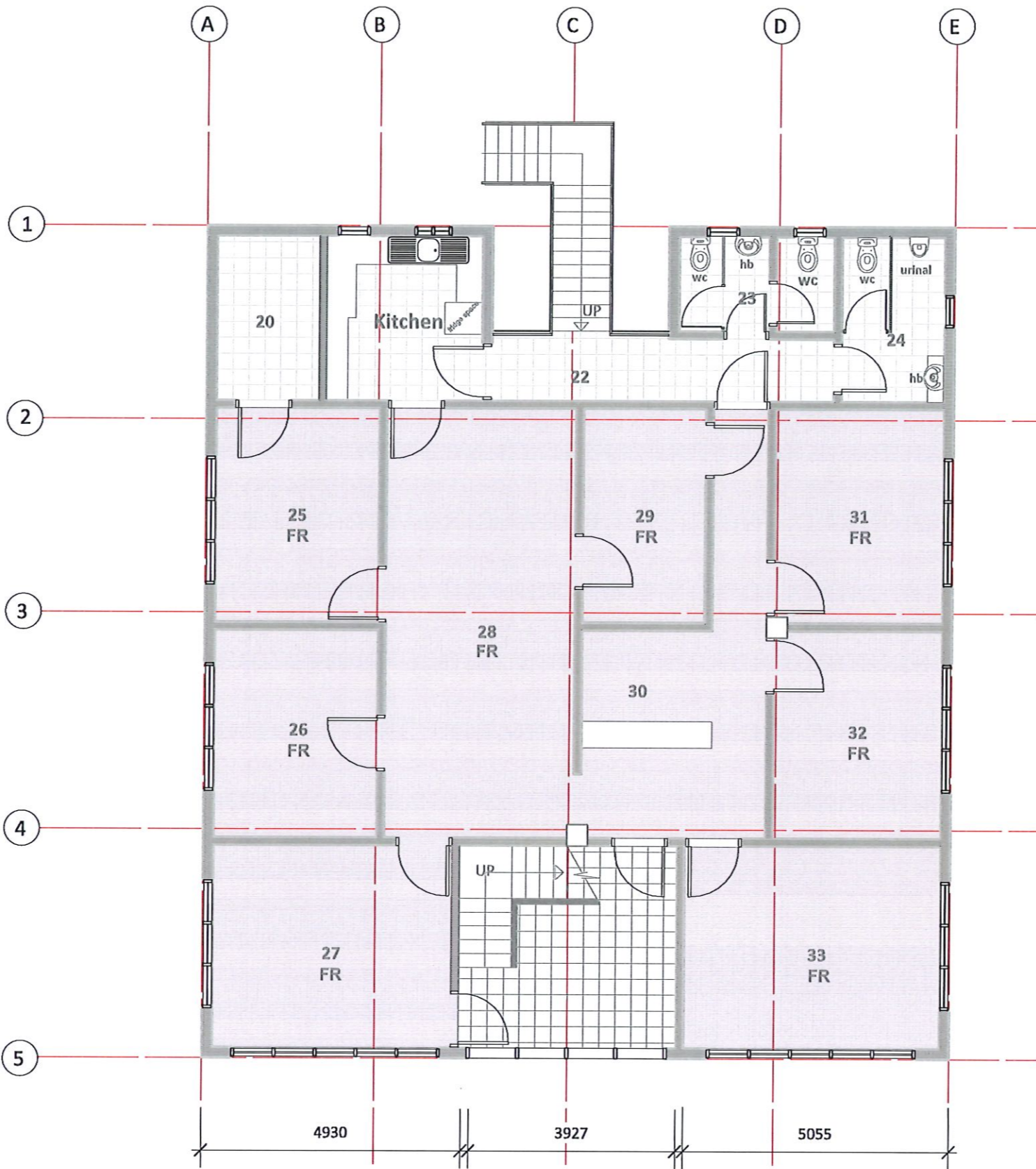
Amendments		
no.	details	date
	Revised drawing 1- scope of work amended	

drawn	date	proj./block
LM/KV	March 2026	LEGAL AID COMMISSION
scale	proj. arch./off.	PROPOSED REFURBISHMENT TO EXISTING OFFICE
AS SHOWN	LM	BUILDING. LOFTUS STREET, SUVA.
approval	DBGA approval	drawing title
MM	MM	PROPOSED 1st FLOOR PLAN
MINISTRY OF PUBLIC WORKS		

related drawings.	project no.
	26016
sheet no.	
A3.02	R2
	amend

Room #	Scope Of Works
20	Allow to apply paint finish on existing internal walls with selected paint finish Allow to clean and remove stain on existing floor tiles
21	Allow to remove and reposition of existing door opening to open inside the Lawyers room Allow to replace any damage hinge, drawer handle and locks
22	Allow to replace any damage floor tiles. make sure to match existing.
23	Allow aluminium window/door to be inspected for proper locking and weather proofing
24	Allow to supply and installed new WC Allow to supply and installed new HB Allow to supply and installed new Urinal Allow to supply install new vanity bench Allow to supply and install new mirror and mount to existing wall
25	Allow aluminium window/door to be inspected for proper locking and weather proofing
26	
27	
31	
32	
33	
28	
29	
30	

Scope Of Works for Floor Rug	
Deep Cleaning	Choose appropriate method depending on carpet condition: a. Steam Cleaning (Hot Water Extraction) Inject hot water and cleaning solution into carpet fibers Extract dirt and moisture using specialized equipment or b. Shampoo Cleaning Apply carpet shampoo Scrub using rotary machine Extract residue and dirt
Deodorizing & Sanitizing	Apply deodorizer to eliminate odors Apply anti-bacterial/anti-fungal treatment if required
Drying	Use air movers or allow natural ventilation Ensure carpets are fully dry before use to prevent mold growth



PROPOSED 2nd FLOOR PLAN
scale 1:100 @ A3.

General Scope Of Works
<p>1. Surface Inspection & Preparation Inspect all existing wall surfaces for: Cracks, dampness, mold, peeling paint, and surface defects</p> <p>Remove: Loose, flaking, or blistered paint by scraping or sanding Dust, grease, dirt, and contaminants Clean surfaces using: Wire brushing, sanding, or water washing as required Treat affected areas: Apply anti-fungal solution where mold/mildew is present Allow surfaces to dry completely before proceeding</p> <p>3. Repairs & Making Good Fill cracks and surface defects using approved filler/putty Repair damaged plaster or spalled concrete areas Smoothen surfaces by sanding after repairs Ensure a uniform and even surface ready for painting</p> <p>4. Moisture Treatment Identify damp areas and rectify source of moisture Apply waterproofing sealer or damp-proof primer where necessary Do not proceed with painting until moisture content is acceptable</p> <p>5. Priming Apply one coat of alkali-resistant primer suitable for concrete surfaces Ensure full and even coverage Allow proper drying time as per manufacturer's specifications</p> <p>6. Application of Paint System Apply: Two coats of interior emulsion paint (or as specified) Paint type: Low VOC, washable interior paint (recommended) Application method: Roller/brush/spray as appropriate Ensure: Uniform color and finish No streaks, patches, or roller marks Allow proper drying time between coats</p> <p>7. Finishes Final finish to be: Smooth, even, and consistent in color Number of coats may be increased if required to achieve full opacity</p> <p>8. Protection of Adjacent Surfaces Protect floors, ceilings, doors, windows, fixtures, and fittings Use drop sheets, masking tape, and coverings Avoid paint splashes and stains</p> <p>9. Cleaning & Completion Remove all paint debris and waste materials Clean all affected areas after completion Leave site in a neat and tidy condition</p>

Notes.
Shown in Grey are existing wall structure to remain and make good to match new
Allow for service access to ceiling

Contractor: The contractor must verify all dimensions on the drawing before the execution of work or shop drawings. The contractor shall notify the project architect of any discrepancies.
Dimensions: Figured dimensions shall take preference over scaled dimensions and the largest scale drawing will take preference.
Copyright: Copyright of all specifications, documentation and all work executed pertaining to these documents remains the sole property of the government of the republic of Fiji - Government Architect Section, Ministry of Public Works, Metrological Services and Transport.
Regulations and Standards: All works are to comply with the relevant Regulations and Standards.

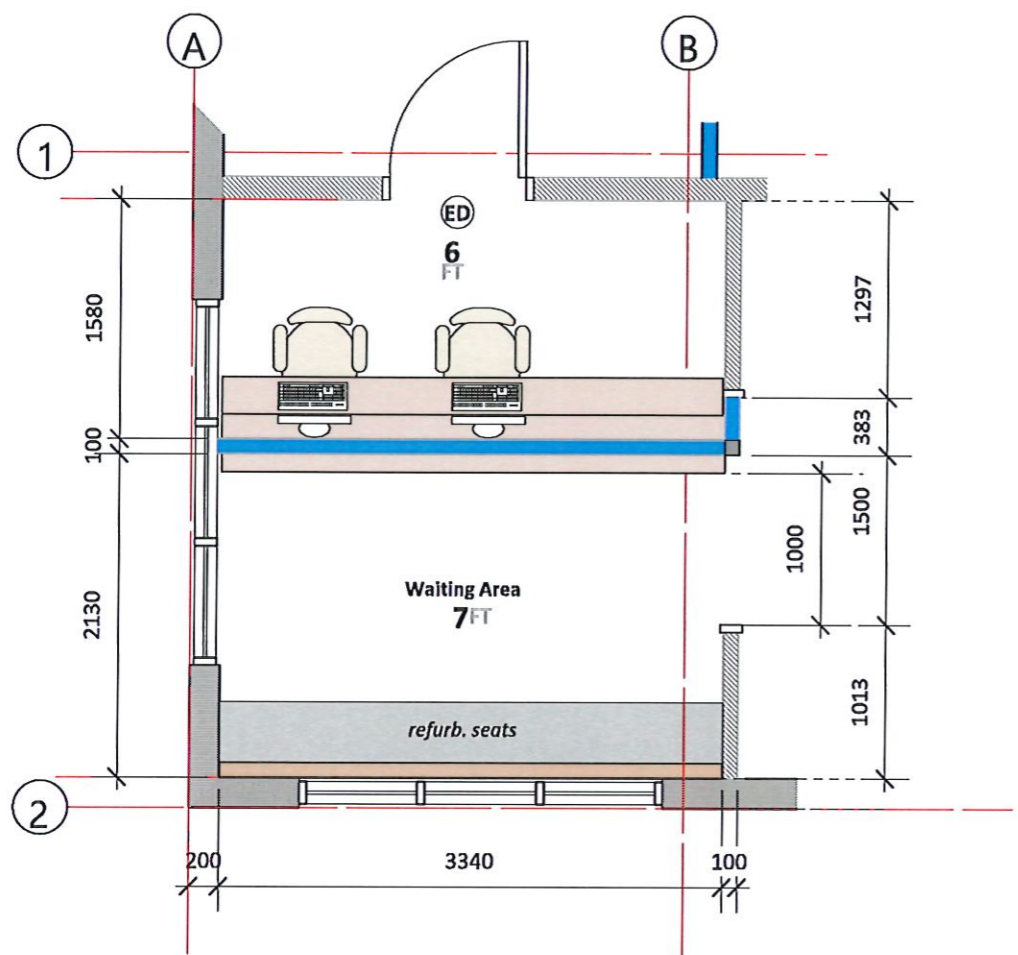
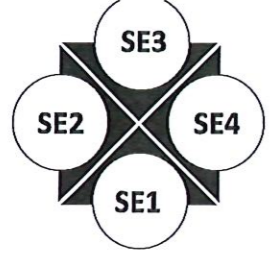


Amendments		
no.	details	date
	Revised drawing 1- scope of work amended	

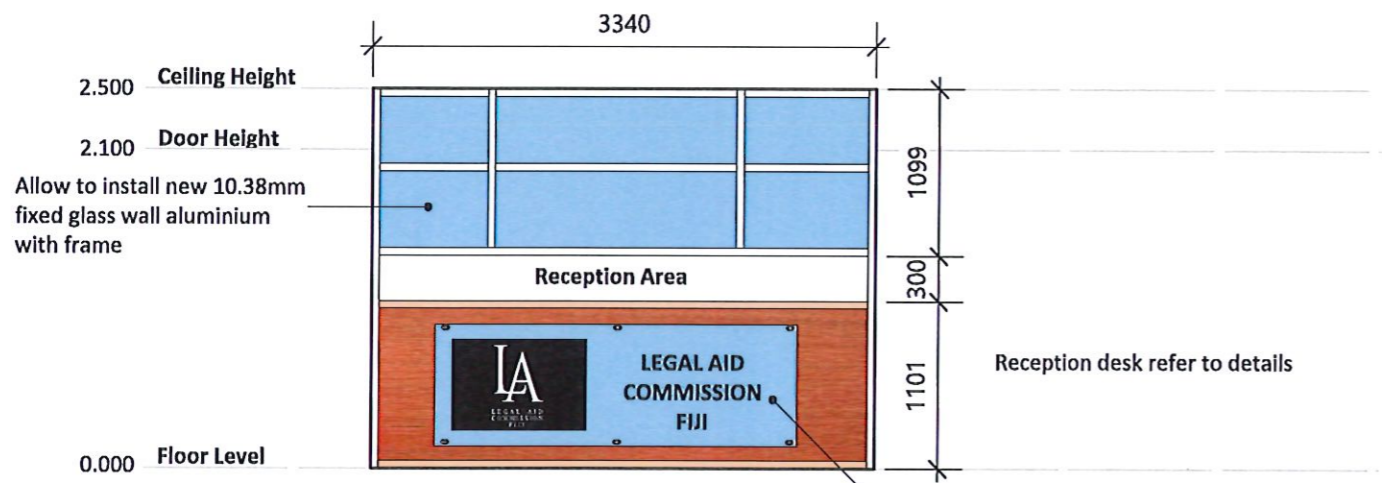
drawn	LM/KV	date	March 2026
scale	AS SHOWN	proj. arch./off.	LM
approval	MM	DBGA approval	MM
MINISTRY OF PUBLIC WORKS			

proj./block	LEGAL AID COMMISSION PROPOSED REFURBISHMENT TO EXISTING OFFICE BUILDING. LOFTUS STREET, SUVA.
drawing title	PROPOSED 2nd FLOOR PLAN

related drawings.	project no.
	26016
sheet no.	R2
A3.03	amend

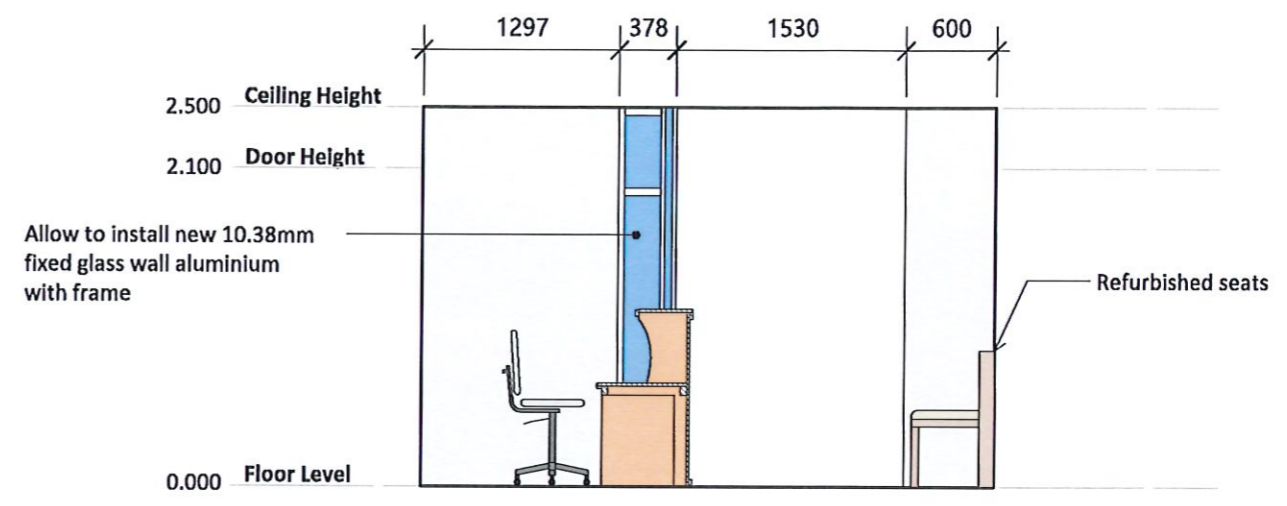


ENLARGED PLAN 01 - RECEPTION AREA
Scale: 1:50 @ A3

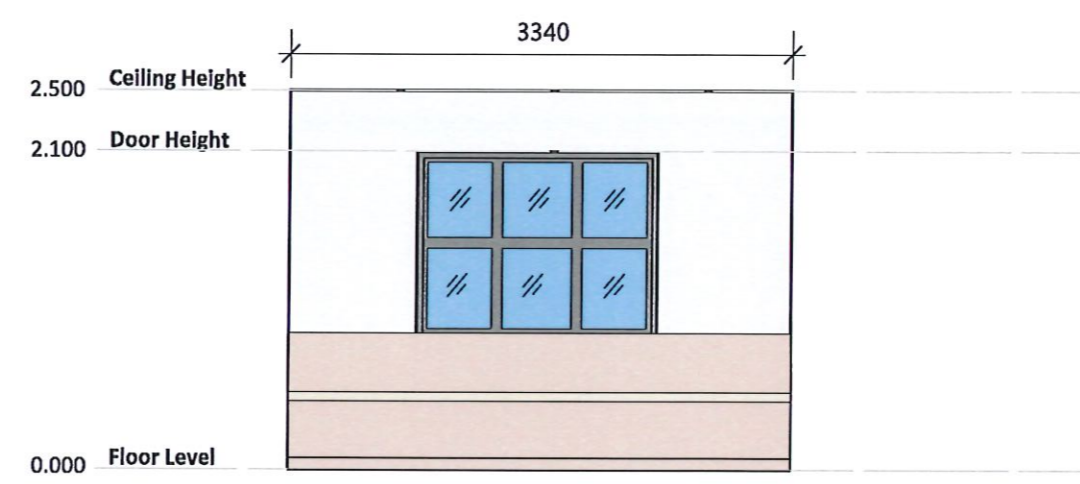


SECTIONAL ELEVATION 1
Scale: 1:50 @ A3

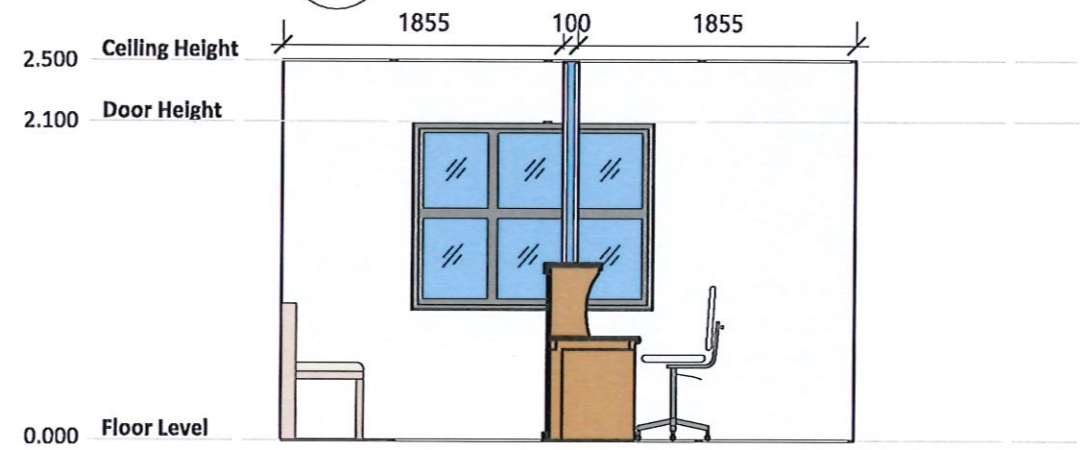
Allow to install 2.4m x 0.8m x 6.38mm thick pectpect glass with Hex capping to screw heads with department name and logo



SECTIONAL ELEVATION 2
Scale: 1:50 @ A3



SECTIONAL ELEVATION 3
Scale: 1:50 @ A3



SECTIONAL ELEVATION 4
Scale: 1:50 @ A3

Contractor: The contractor must verify all dimensions on the drawing before the execution of work or shop drawings. The contractor shall notify the project architect of any discrepancies.
Dimensions: Figured dimensions shall take preference over scaled dimensions and the largest scale drawing will take preference.
Copyright: Copyright of all specifications, documentation and all work executed pertaining to these documents remains the sole property of the government of the republic of Fiji - Government Architect Section, Ministry of Public Works, Metrological Services and Transport.
Regulations and Standards: All works are to comply with the relevant Regulations and Standards.

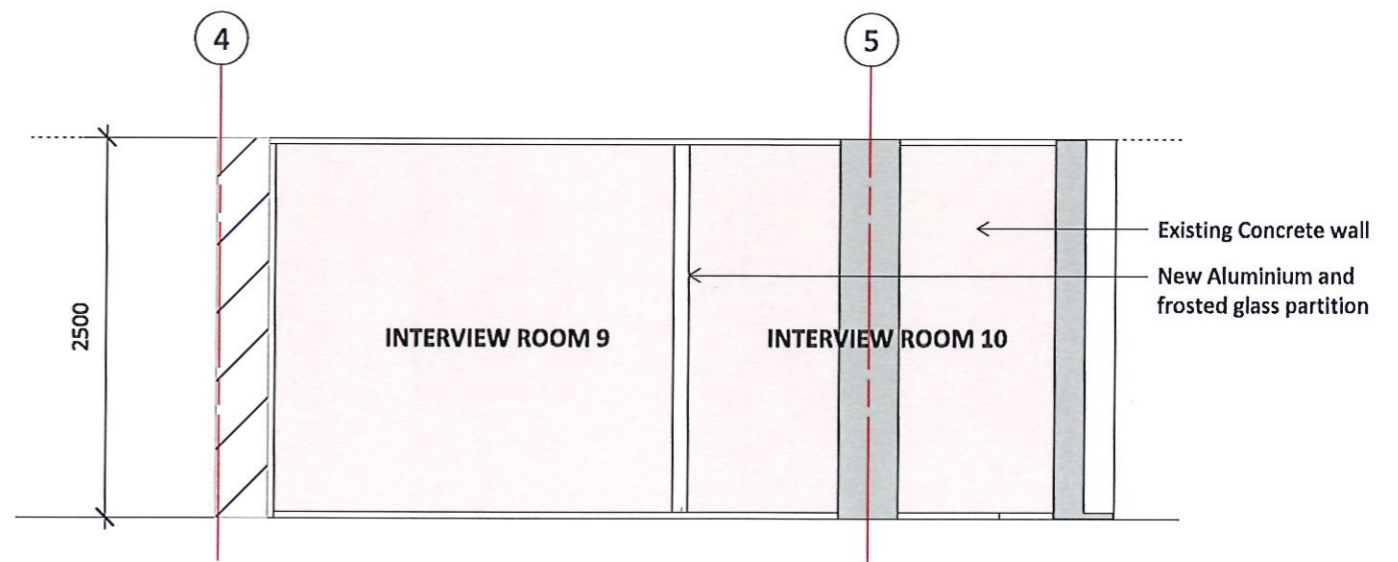
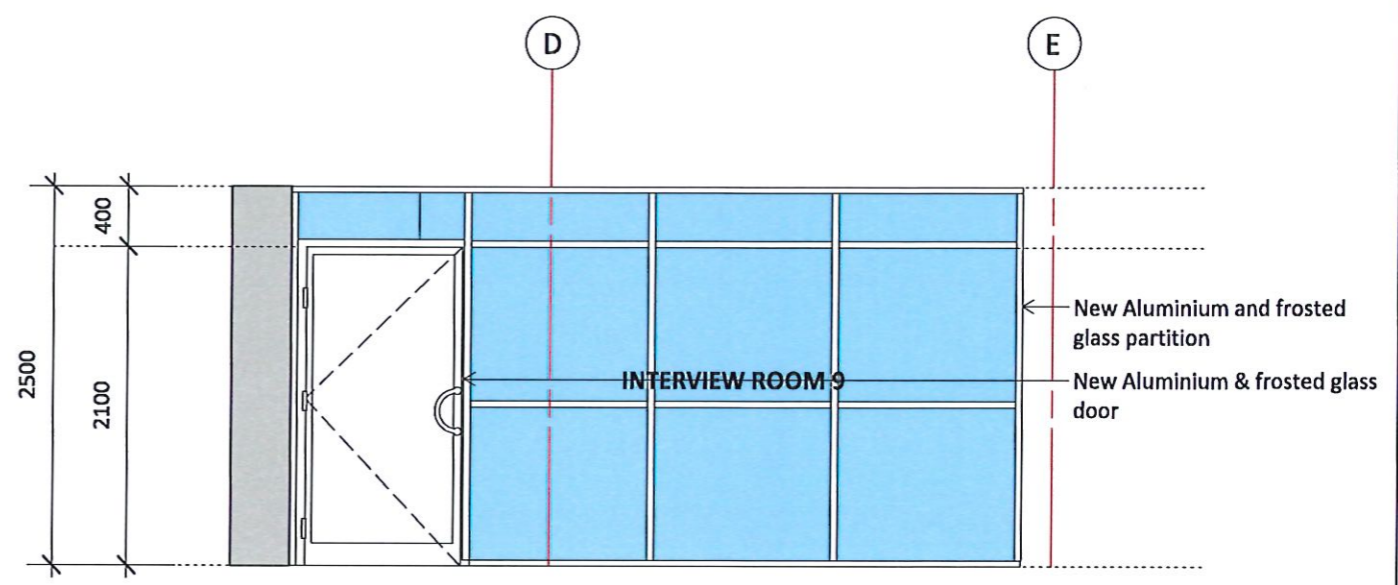
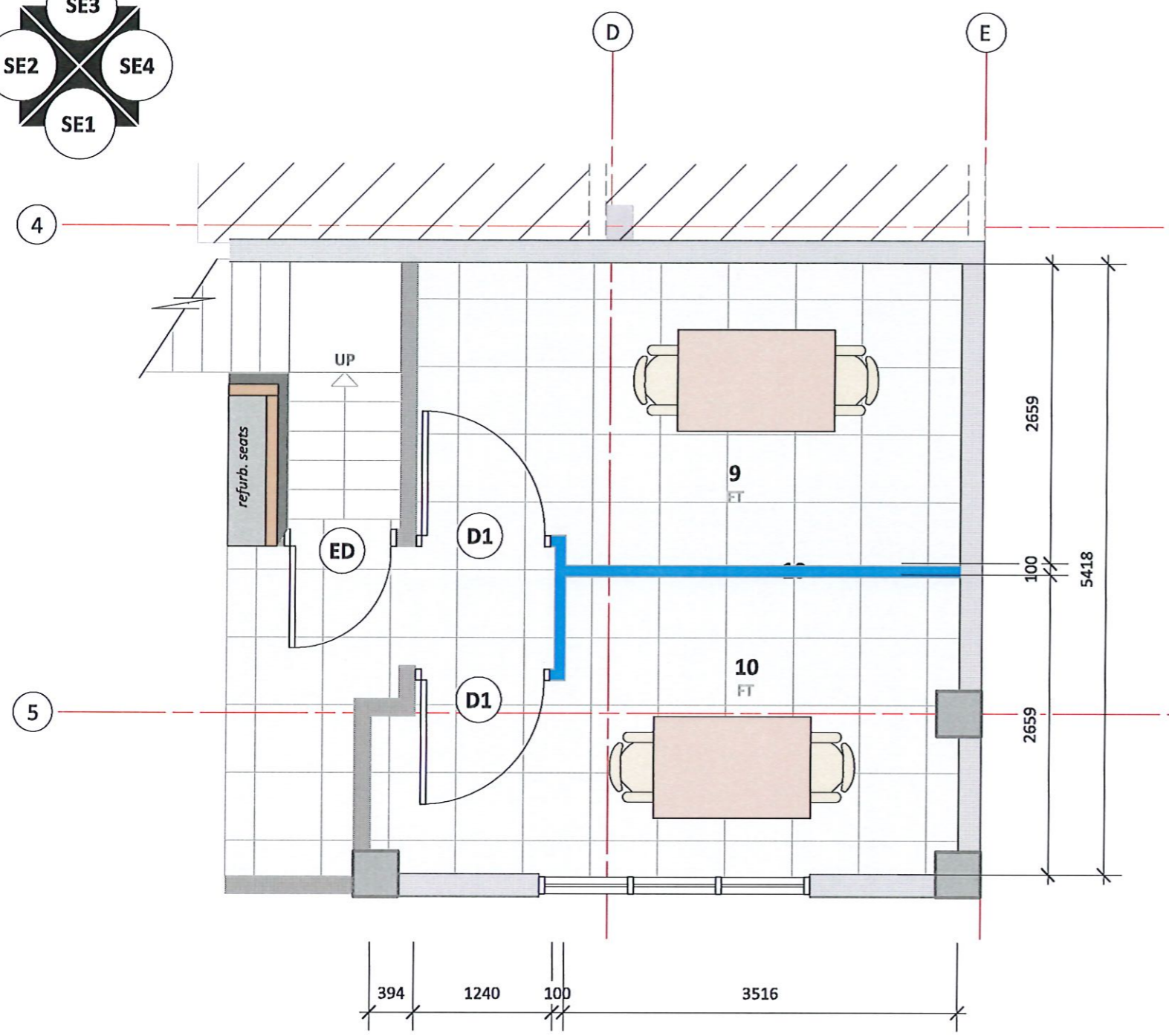
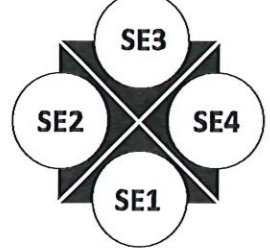


Amendments		
no.	details	date
	Revised drawing 1- scope of work amended	

drawn	LM/KV	date	March 2026
scale	AS SHOWN	proj. arch./off.	LM
approval	MM	DBGA approval	MM
MINISTRY OF PUBLIC WORKS			

proj./block	LEGAL AID COMMISSION PROPOSED REFURBISHMENT TO EXISTING OFFICE BUILDING. LOFTUS STREET, SUVA.
drawing title	ENLARGED PLAN 01 - RECEPTION AREA

related drawings.	project no.
	26016
sheet no.	amend
A4.01	R2



Contractor: The contractor must verify all dimensions on the drawing before the execution of work or shop drawings. The contractor shall notify the project architect of any discrepancies.
Dimensions: Figured dimensions shall take preference over scaled dimensions and the largest scale drawing will take preference.
Copyright: Copyright of all specifications, documentation and all work executed pertaining to these documents remains the sole property of the government of the republic of Fiji - Government Architect Section, Ministry of Public Works, Metrological Services and Transport.
Regulations and Standards: All works are to comply with the relevant Regulations and Standards.



Amendments		
no.	details	date
	Revised drawing 1- scope of work amended	

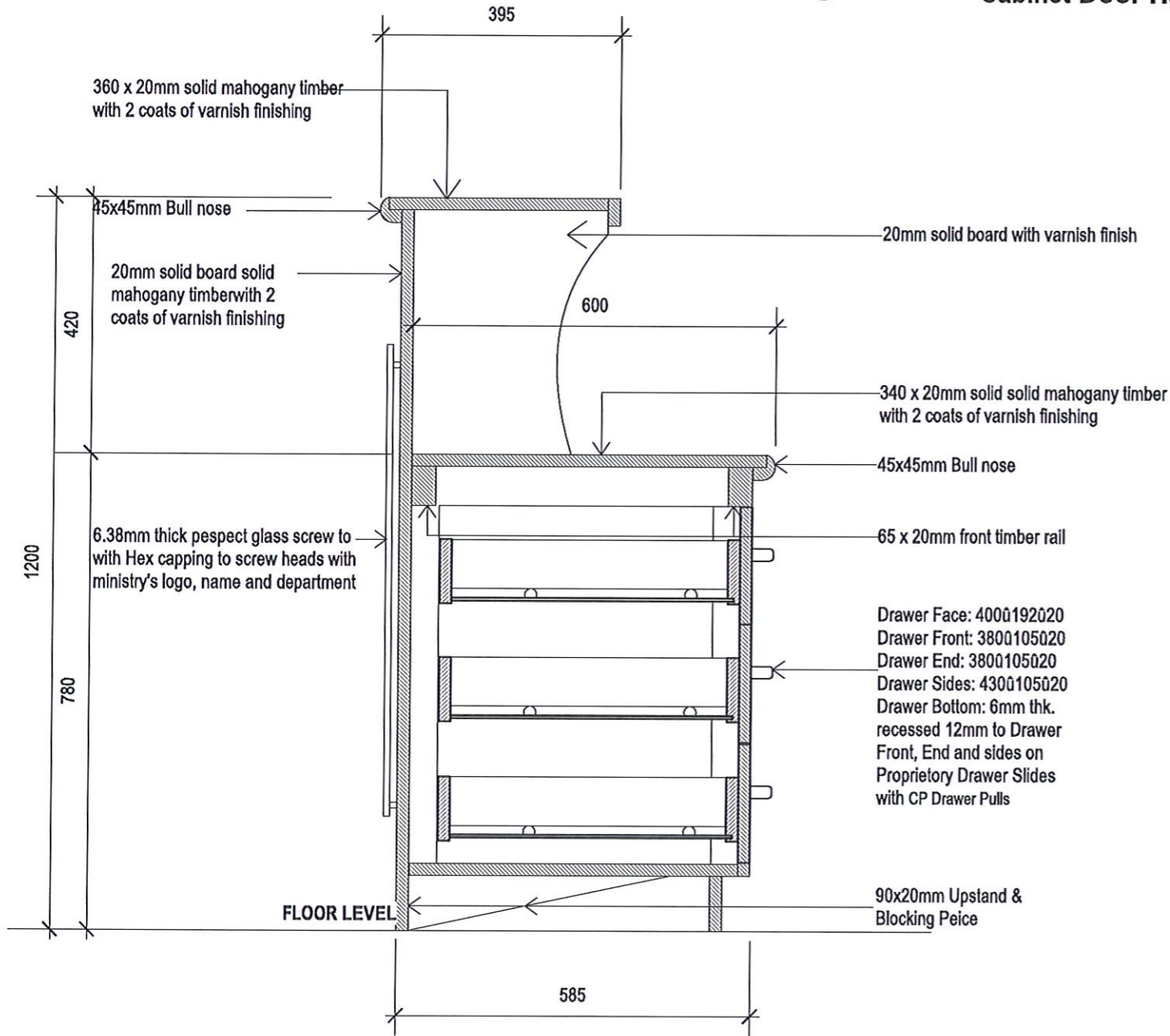
drawn	date	proj./block
LM/KV	March 2026	LEGAL AID COMMISSION PROPOSED REFURBISHMENT TO EXISTING OFFICE BUILDING, LOFTUS STREET, SUVA.
scale	proj. arch./off.	
AS SHOWN	LM	drawing title
approval	DBGA approval	
MM	MM	INTERVIEW ROOM - ENLARGE PLAN
MINISTRY OF PUBLIC WORKS		

related drawings.	project no.
	26016
sheet no.	
A4.02	R2 amend

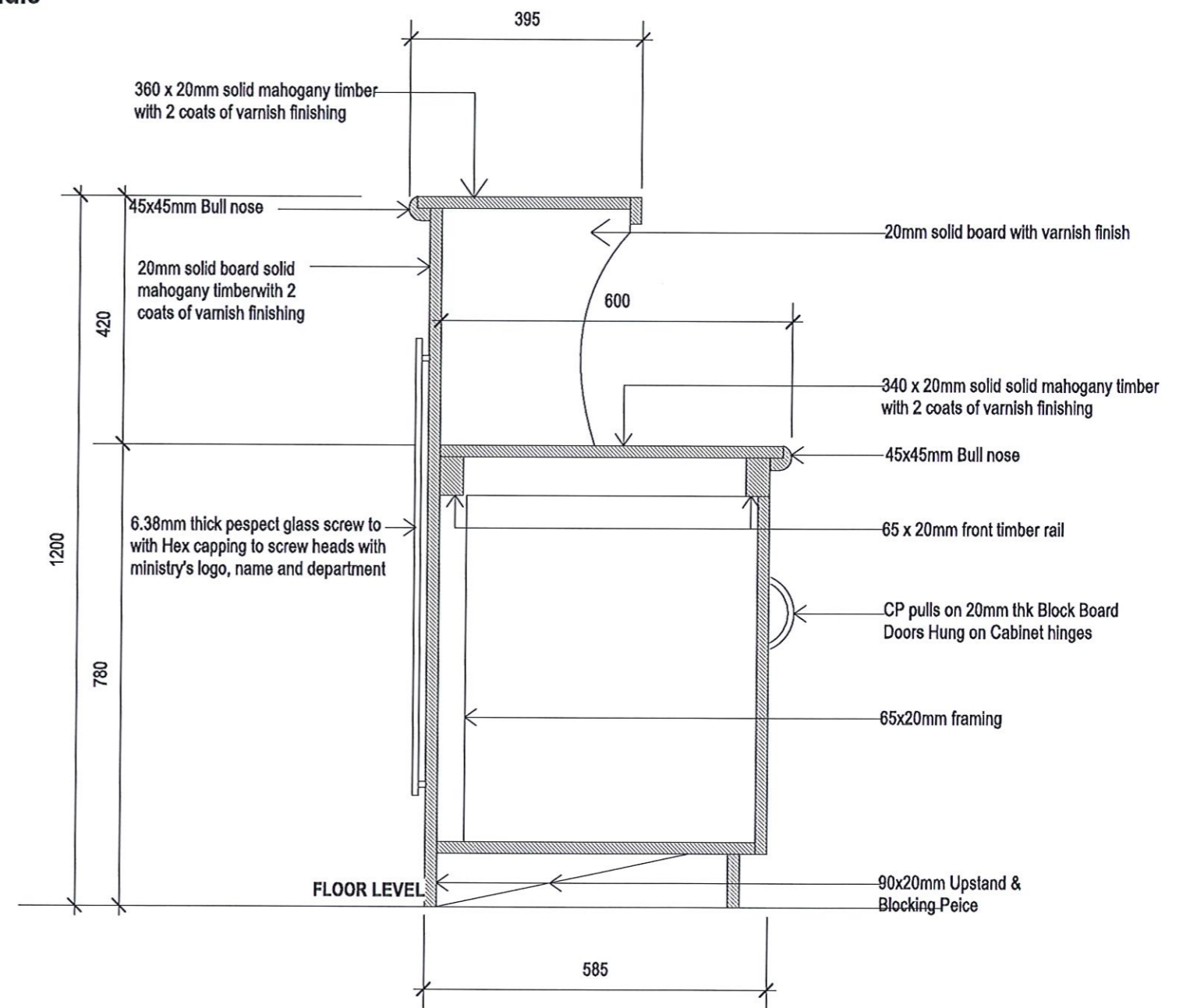


Cabinet Hinge

Cabinet Door Handle



J1 JOINERY DETAIL-RECEPTION COUNTER
Scale: 1:10 2 A3



J2 JOINERY DETAIL-RECEPTION COUNTER
Scale: 1:10 2 A3

Contractor: The contractor must verify all dimensions on the drawing before the execution of work or shop drawings. The contractor shall notify the project architect of any discrepancies.
Dimensions: Figured dimensions shall take preference over scaled dimensions and the largest scale drawing will take preference.
Copyright: Copyright of all specifications, documentation and all work executed pertaining to these documents remains the sole property of the government of the republic of Fiji - Government Architect Section, Ministry of Public Works, Metrological Services and Transport.
Regulations and Standards: All works are to comply with the relevant Regulations and Standards.

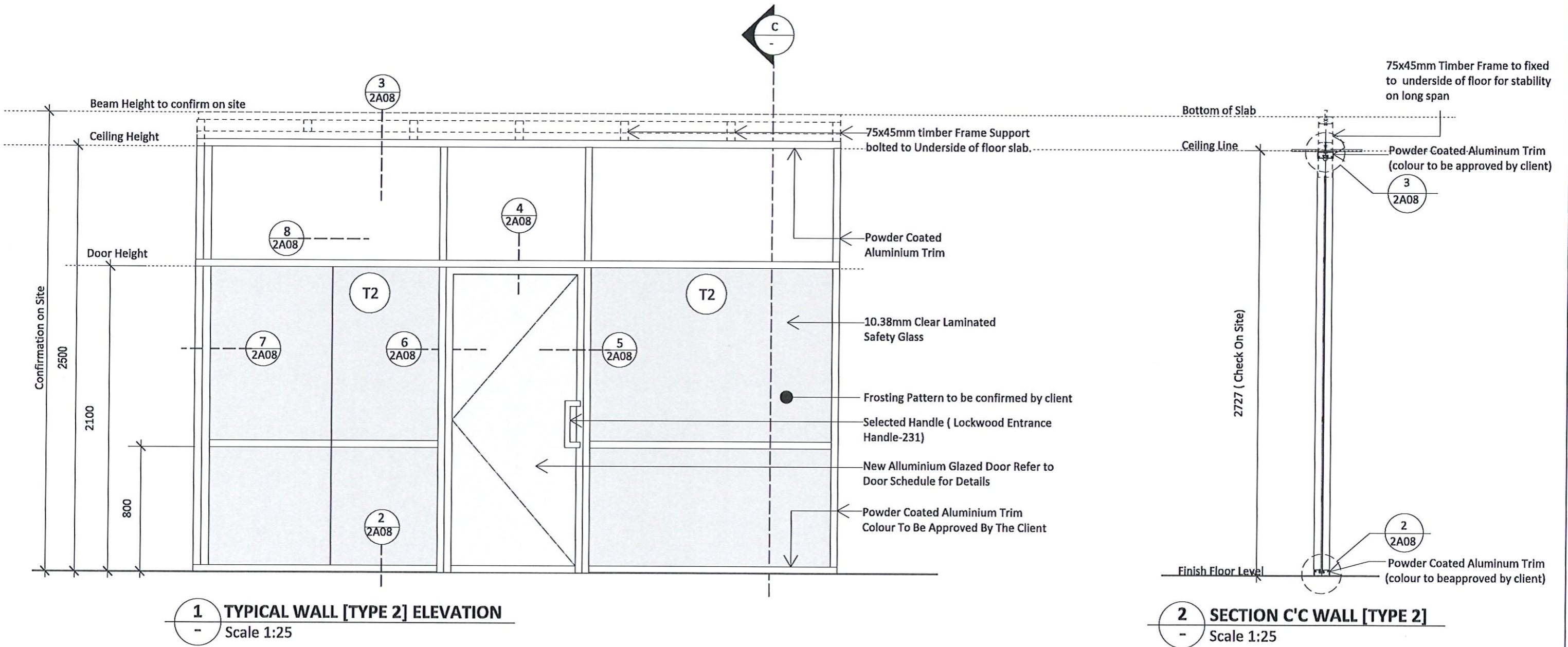


Government Architect Section
MPWMST

Amendments		
no.	details	date
	Revised drawing 1- scope of work amended	

drawn	date	proj./block
LM/KV	March 2026	LEGAL AID COMMISSION
scale	proj. arch./off.	PROPOSED REFURBISHMENT TO EXISTING OFFICE
AS SHOWN	LM	BUILDING, LOFTUS STREET, SUVA.
approval	DBGA approval	drawing title
MM	MM	JOINERY DETAILS
MINISTRY OF PUBLIC WORKS		

related drawings.	project no.
	26016
sheet no.	amend
A4.03	R2



Contractor: The contractor must verify all dimensions on the drawing before the execution of work or shop drawings. The contractor shall notify the project architect of any discrepancies.
Dimensions: Figured dimensions shall take preference over scaled dimensions and the largest scale drawing will take preference.
Copyright: Copyright of all specifications, documentation and all work executed pertaining to these documents remains the sole property of the government of the republic of Fiji - Government Architect Section, Ministry of Public Works, Metrological Services and Transport.
Regulations and Standards: All works are to comply with the relevant Regulations and Standards.

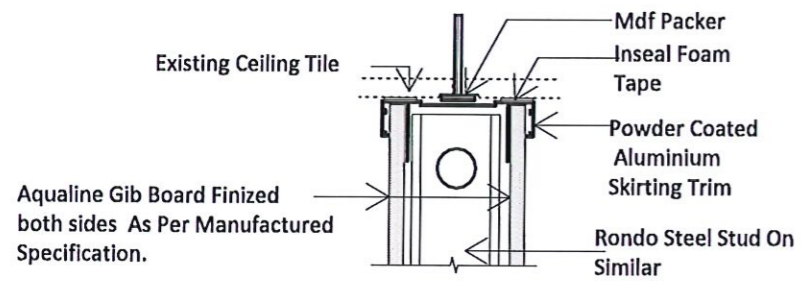


Amendments		
no.	details	date
	Revised drawing 1- scope of work amended	

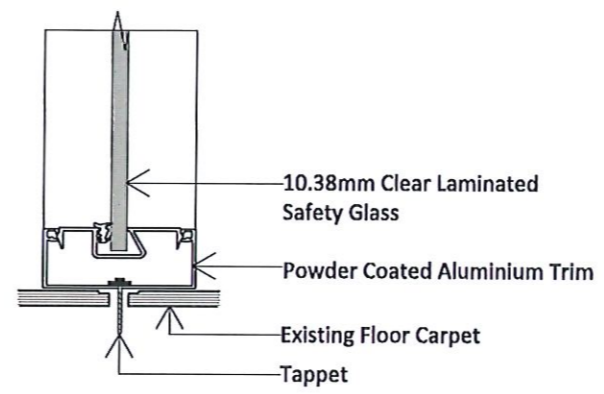
drawn	date
LM/KV	March 2026
scale	proj. arch./off.
AS SHOWN	LM
approval	DBGGA approval
MM	MM
MINISTRY OF PUBLIC WORKS	

proj./block	LEGAL AID COMMISSION PROPOSED REFURBISHMENT TO EXISTING OFFICE BUILDING. LOFTUS STREET, SUVA.
drawing title	WALL PARTITION -TYPE 1

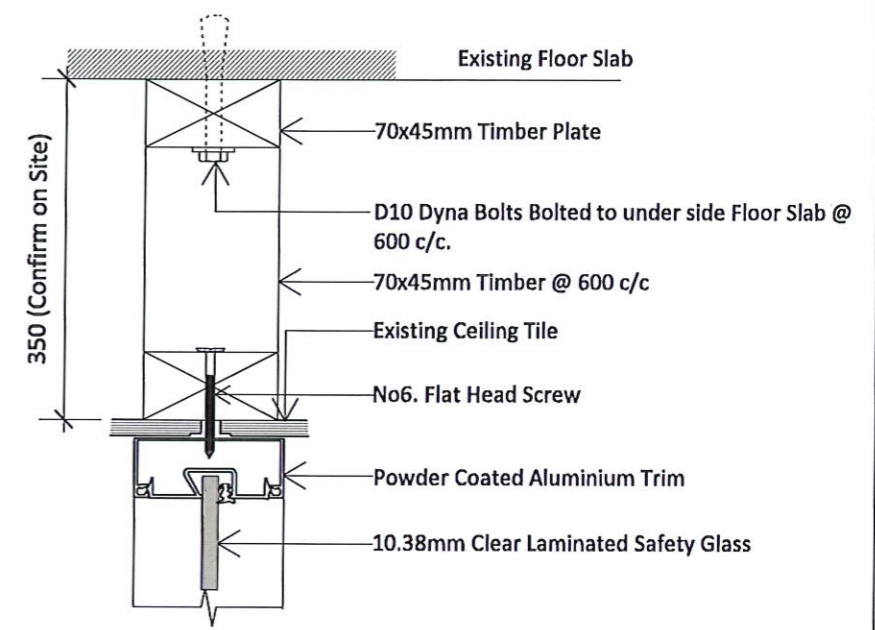
related drawings.	project no.
	26016
sheet no.	
A5.00	R2 amend



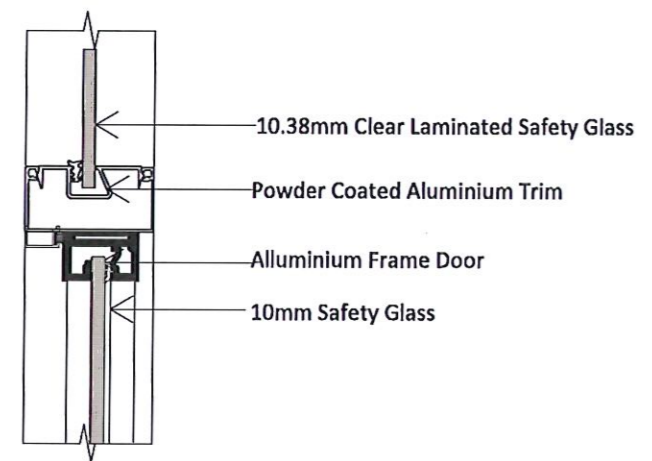
1 CEILING DETAIL
A04.01 Scale 1:5



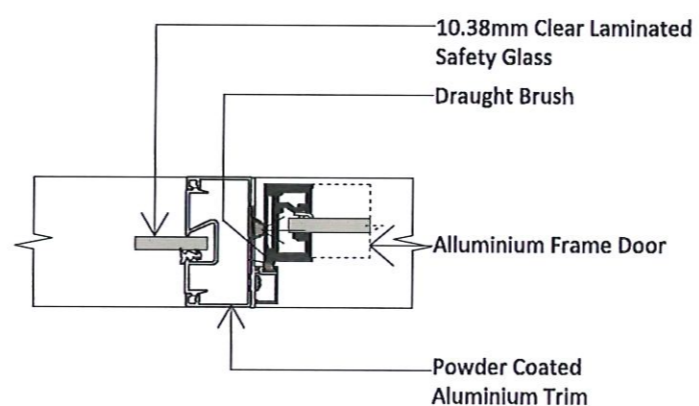
2 SILL DETAIL
A04.01 Scale 1:5



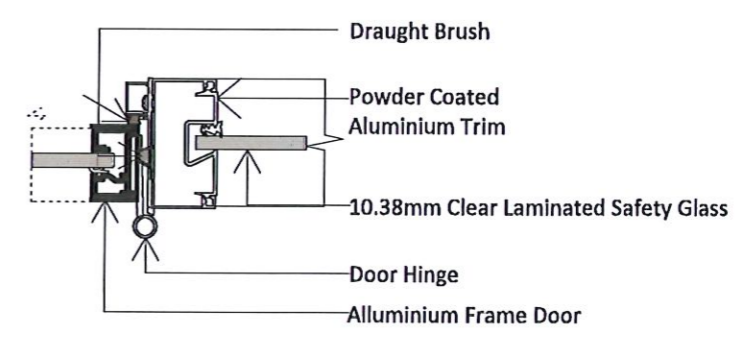
3 GLAZING HEAD DETAILS
A04.01 Scale 1:5



4 DOOR HEAD DETAILS
A04.01 Scale 1:5



5 DOOR JAMB DETAILS
A04.01 Scale 1:5



6 DOOR WALL JUNCTION
A04.01 Scale 1:5

Contractor: The contractor must verify all dimensions on the drawing before the execution of work or shop drawings. The contractor shall notify the project architect of any discrepancies.
Dimensions: Figured dimensions shall take preference over scaled dimensions and the largest scale drawing will take preference.
Copyright: Copyright of all specifications, documentation and all work executed pertaining to these documents remains the sole property of the government of the republic of Fiji - Government Architect Section, Ministry of Public Works, Metrological Services and Transport.
Regulations and Standards: All works are to comply with the relevant Regulations and Standards.

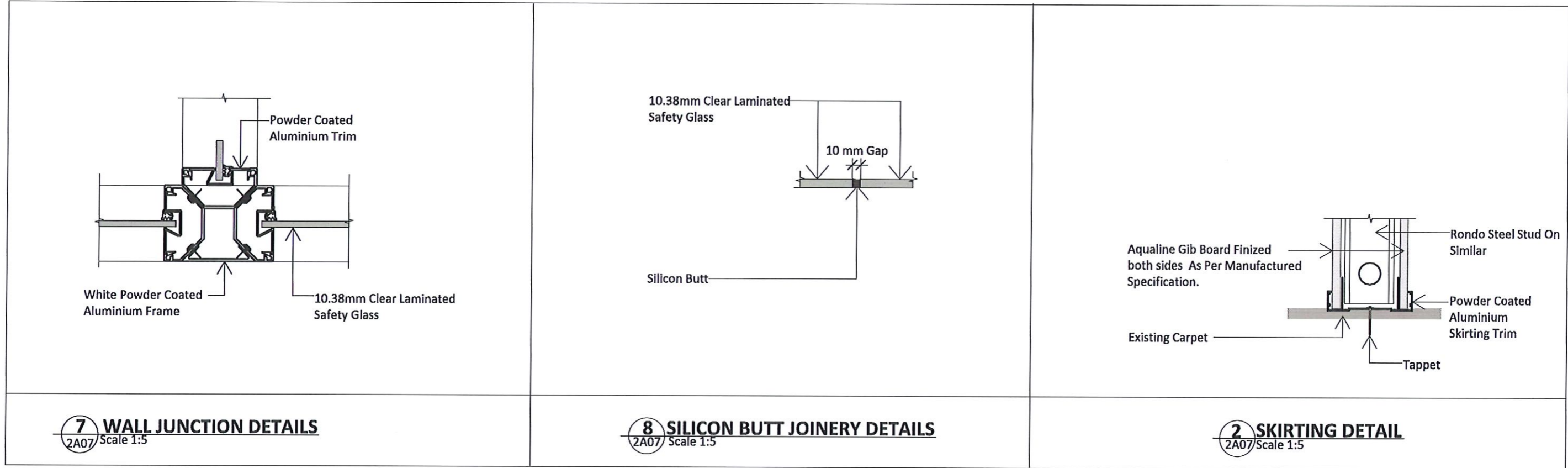


Amendments		
no.	details	date
	Revised drawing 1- scope of work amended	

drawn	date
LM/KV	March 2026
scale	proj. arch./off.
AS SHOWN	LM
approval	DBGA approval
MM	MM
MINISTRY OF PUBLIC WORKS	

proj./block	LEGAL AID COMMISSION PROPOSED REFURBISHMENT TO EXISTING OFFICE BUILDING. LOFTUS STREET, SUVA.
drawing title	TYPICAL ALUMINIUM WALL DETAILS 1, 2, 3, 4, 5 & 6

related drawings.	project no.
	26016
sheet no.	
A5.01	R2 amend



Contractor: The contractor must verify all dimensions on the drawing before the execution of work or shop drawings. The contractor shall notify the project architect of any discrepancies.
Dimensions: Figured dimensions shall take preference over scaled dimensions and the largest scale drawing will take preference.
Copyright: Copyright of all specifications, documentation and all work executed pertaining to these documents remains the sole property of the government of the republic of Fiji - Government Architect Section, Ministry of Public Works, Metrological Services and Transport.
Regulations and Standards: All works are to comply with the relevant Regulations and Standards.

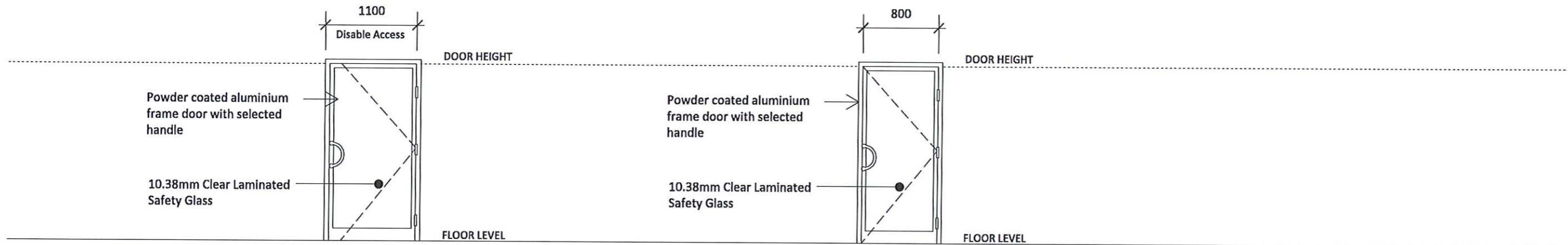


Amendments		
no.	details	date
	Revised drawing 1- scope of work amended	

drawn	date
LM/KV	March 2026
scale	proj. arch./off.
AS SHOWN	LM
approval	DBGA approval
MM	MM
MINISTRY OF PUBLIC WORKS	

proj./block	LEGAL AID COMMISSION PROPOSED REFURBISHMENT TO EXISTING OFFICE BUILDING. LOFTUS STREET, SUVA.
drawing title	TYPICAL ALUMINIUM WALL DETAILS 6, 7 & 8

related drawings.	project no.
	26016
sheet no.	
A5.02	R2 amend



D1 ELEVATION
2 no

Leaf	2100x45x45mm Powder Coated Aluminium Frame with 10.38mm Safety Glass
Frame	Powder Coated Aluminium Frame
Hinges	Standard Button Tipped Hinge (Lockwood Product Catalogue) 100x75x2.5 with Satin Chrome finish
Lockset	KK1 Series Key in Knob
Closer	Pensela Aluminium door closer
Door Stopper	250 Door Stop (A250SC)
Detail Comment	Left Swing Door

D2 ELEVATION
1 no

Leaf	2100x45x45mm Powder Coated Aluminium Frame with 10.38mm Safety Glass
Frame	Powder Coated Aluminium Frame
Hinges	Standard Button Tipped Hinge (Lockwood Product Catalogue) 100x75x2.5 with Satin Chrome finish
Lockset	KK1 Series Key in Knob
Closer	Pensela Aluminium door closer
Door Stopper	250 Door Stop (A250SC)
Detail Comment	Left Swing Door



10075FPSSS HINGE



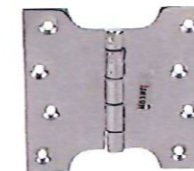
A350SC FLOOR MOUNTED DOOR STOPPER



532SC PRIVACY SET



PENSLA ALUMINIUM DOOR CLOSER



PARIAMENT HINGE



530SC Entrance set

Contractor: The contractor must verify all dimensions on the drawing before the execution of work or shop drawings. The contractor shall notify the project architect of any discrepancies.
Dimensions: Figured dimensions shall take preference over scaled dimensions and the largest scale drawing will take preference.
Copyright: Copyright of all specifications, documentation and all work executed pertaining to these documents remains the sole property of the government of the republic of Fiji - Government Architect Section, Ministry of Public Works, Metrological Services and Transport.
Regulations and Standards: All works are to comply with the relevant Regulations and Standards.



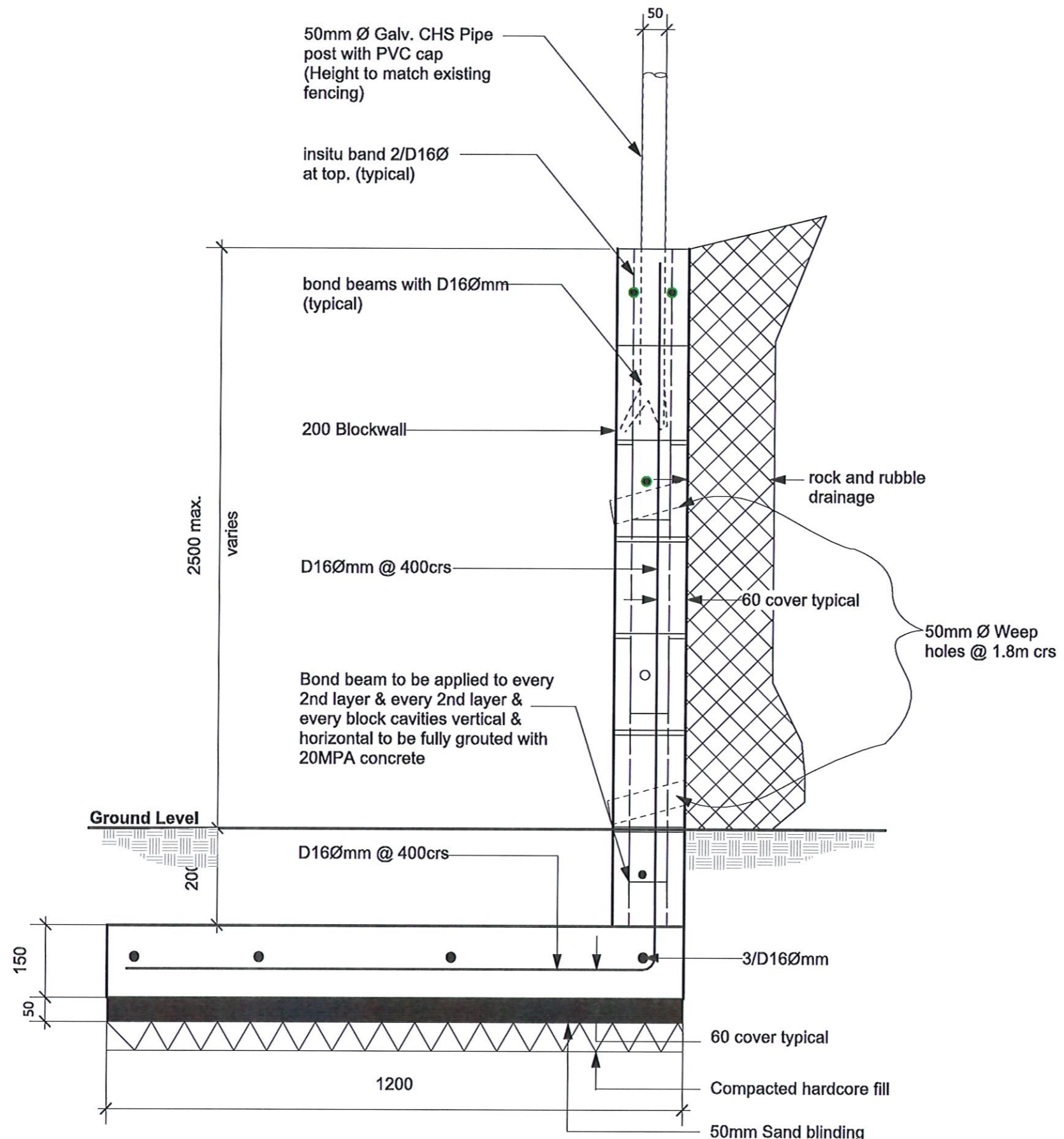
Government Architect Section MPWMST

Amendments		
no.	details	date
	Revised drawing 1- scope of work amended	

drawn	date
LM/KV	March 2026
scale	proj. arch./off.
AS SHOWN	LM
approval	DBGA approval
MM	MM
MINISTRY OF PUBLIC WORKS	

proj./block	LEGAL AID COMMISSION PROPOSED REFURBISHMENT TO EXISTING OFFICE BUILDING, LOFTUS STREET, SUVA.
drawing title	DOOR SCHEDULE

related drawings.	project no.
	26016
sheet no.	
A5.03	R2 amend



TYPICAL RETAINING WALL SECTION
Scale 1:10 @ A3.

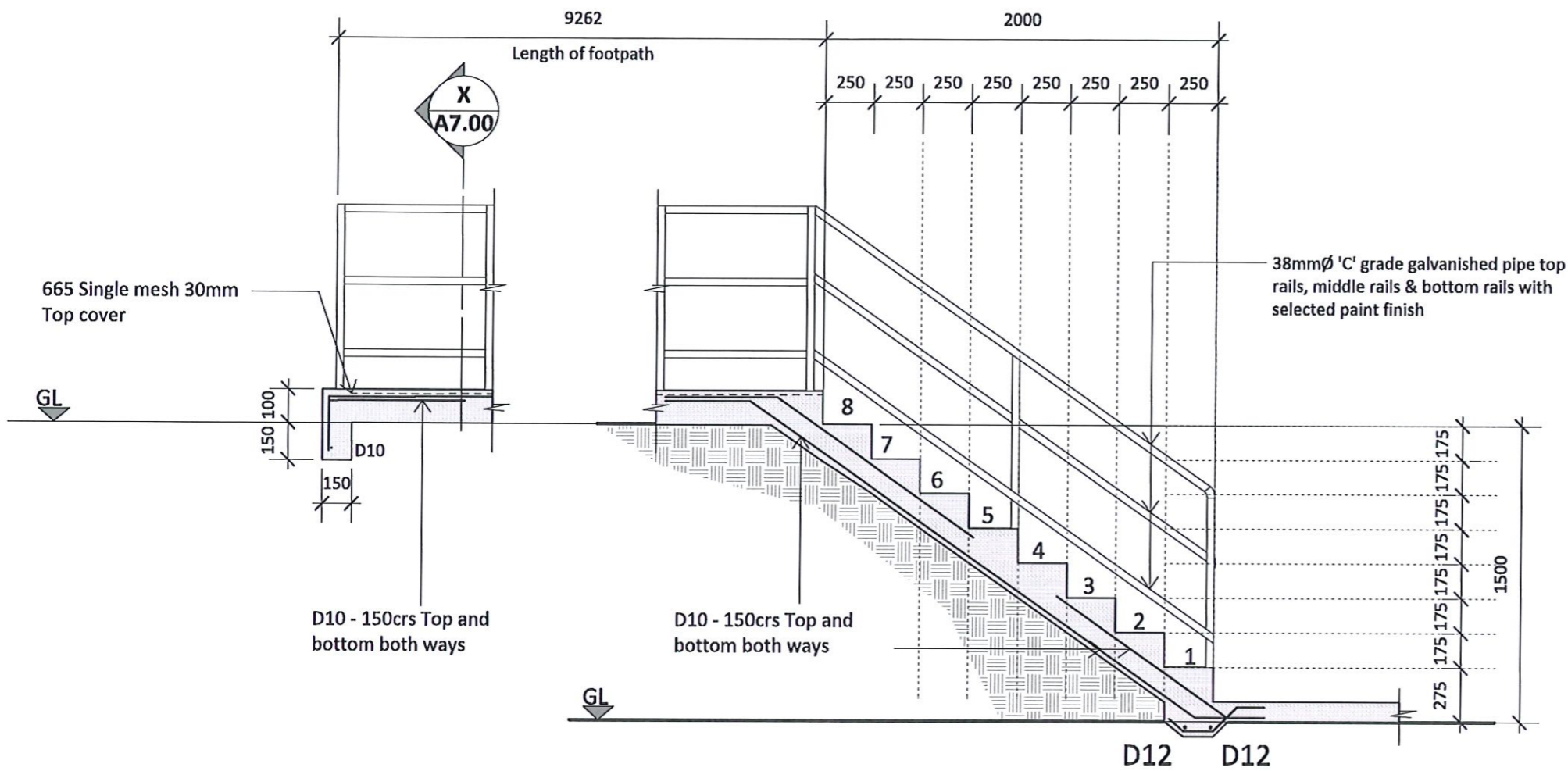
Contractor: The contractor must verify all dimensions on the drawing before the execution of work or shop drawings. The contractor shall notify the project architect of any discrepancies.
Dimensions: Figured dimensions shall take preference over scaled dimensions and the largest scale drawing will take preference.
Copyright: Copyright of all specifications, documentation and all work executed pertaining to these documents remains the sole property of the government of the republic of Fiji - Government Architect Section, Ministry of Public Works, Metrological Services and Transport.
Regulations and Standards: All works are to comply with the relevant Regulations and Standards.



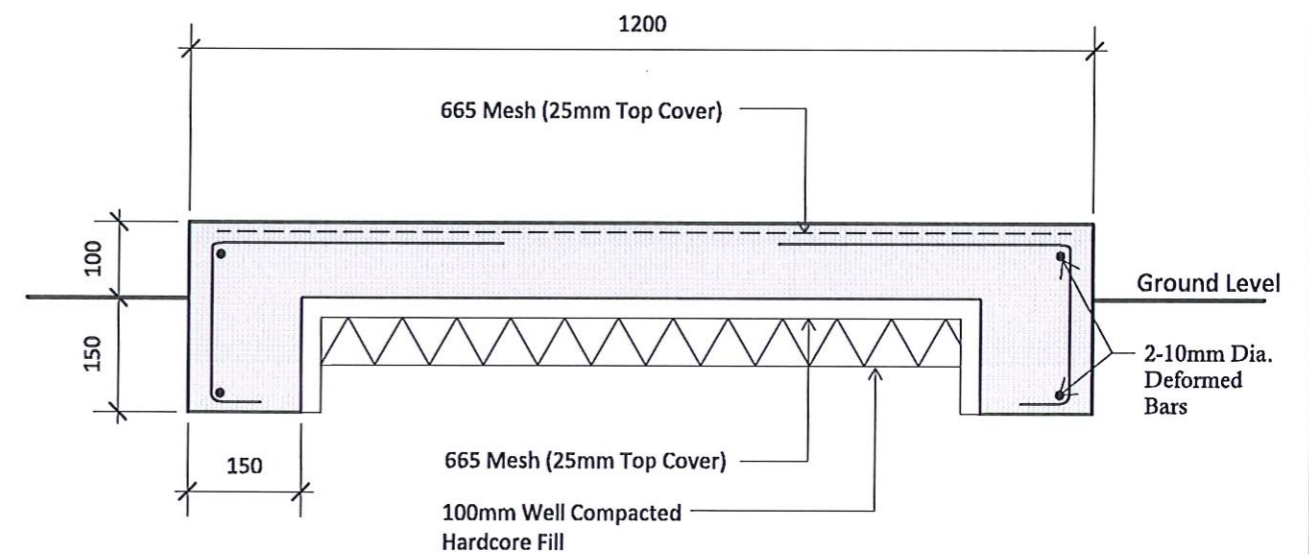
Amendments		
no.	details	date
	Revised drawing 1- scope of work amended	

drawn	date	proj./block
LM/KV	March 2026	LEGAL AID COMMISSION
scale	proj. arch./off.	PROPOSED REFURBISHMENT TO EXISTING OFFICE
AS SHOWN	LM	BUILDING, LOFTUS STREET, SUVA.
approval	DBGA approval	drawing title
MM	MM	RETAINING WALL
MINISTRY OF PUBLIC WORKS		

related drawings.	project no.
	26016
sheet no.	
A6.00	R2
	amend



1 TYPICAL SECTION S-S
SCALE 1:50



2 TYPICAL SECTION X-X
SCALE 1:10

Contractor: The contractor must verify all dimensions on the drawing before the execution of work or shop drawings. The contractor shall notify the project architect of any discrepancies.
Dimensions: Figured dimensions shall take preference over scaled dimensions and the largest scale drawing will take preference.
Copyright: Copyright of all specifications, documentation and all work executed pertaining to these documents remains the sole property of the government of the republic of Fiji - Government Architect Section, Ministry of Public Works, Metrological Services and Transport.
Regulations and Standards: All works are to comply with the relevant Regulations and Standards.



Amendments		
no.	details	date
Revision 1	Revised drawing 1- scope of work amended	
Revision 2	Additional footpath details to external staircase	

drawn	LM/KV	date	March 2026
scale	AS SHOWN	proj. arch./off.	LM
approval	MM	DBGA approval	MM
MINISTRY OF PUBLIC WORKS			

proj./block	LEGAL AID COMMISSION PROPOSED REFURBISHMENT TO EXISTING OFFICE BUILDING. LOFTUS STREET, SUVA.
drawing title	EXTERNAL STEPS DETAILS

related drawings.	project no.
	26016
sheet no.	R2
A7.00	amend